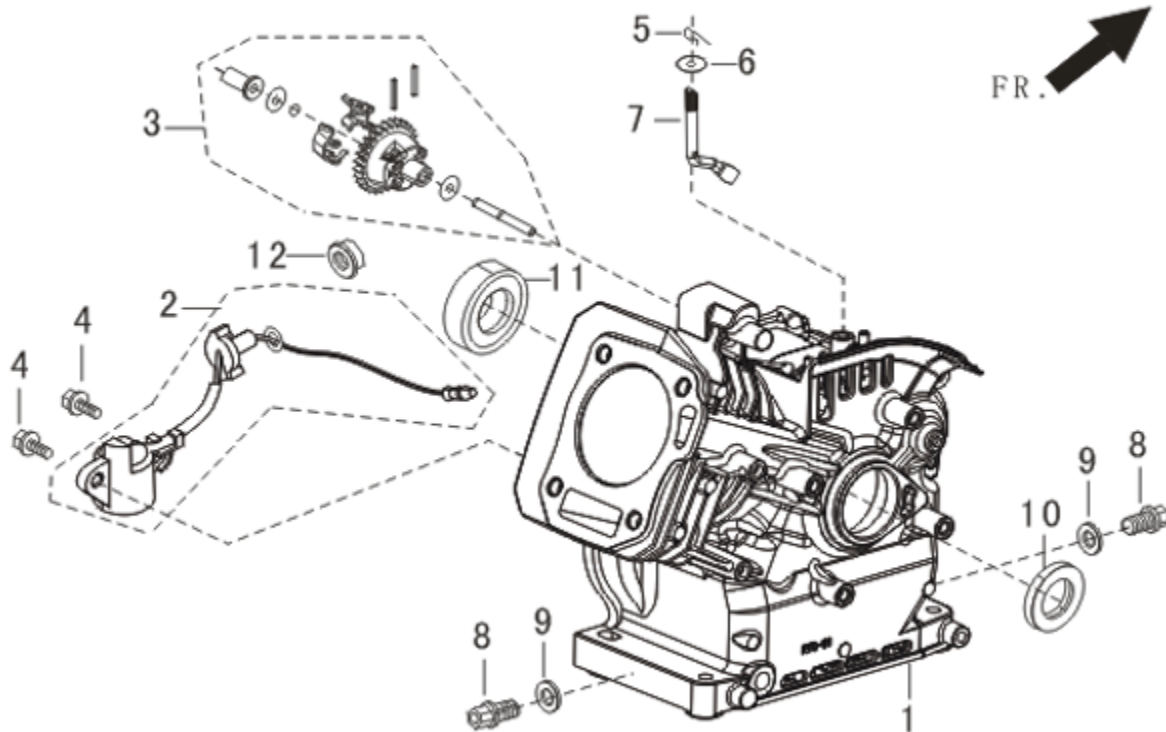


3,600 WATT GENERATOR

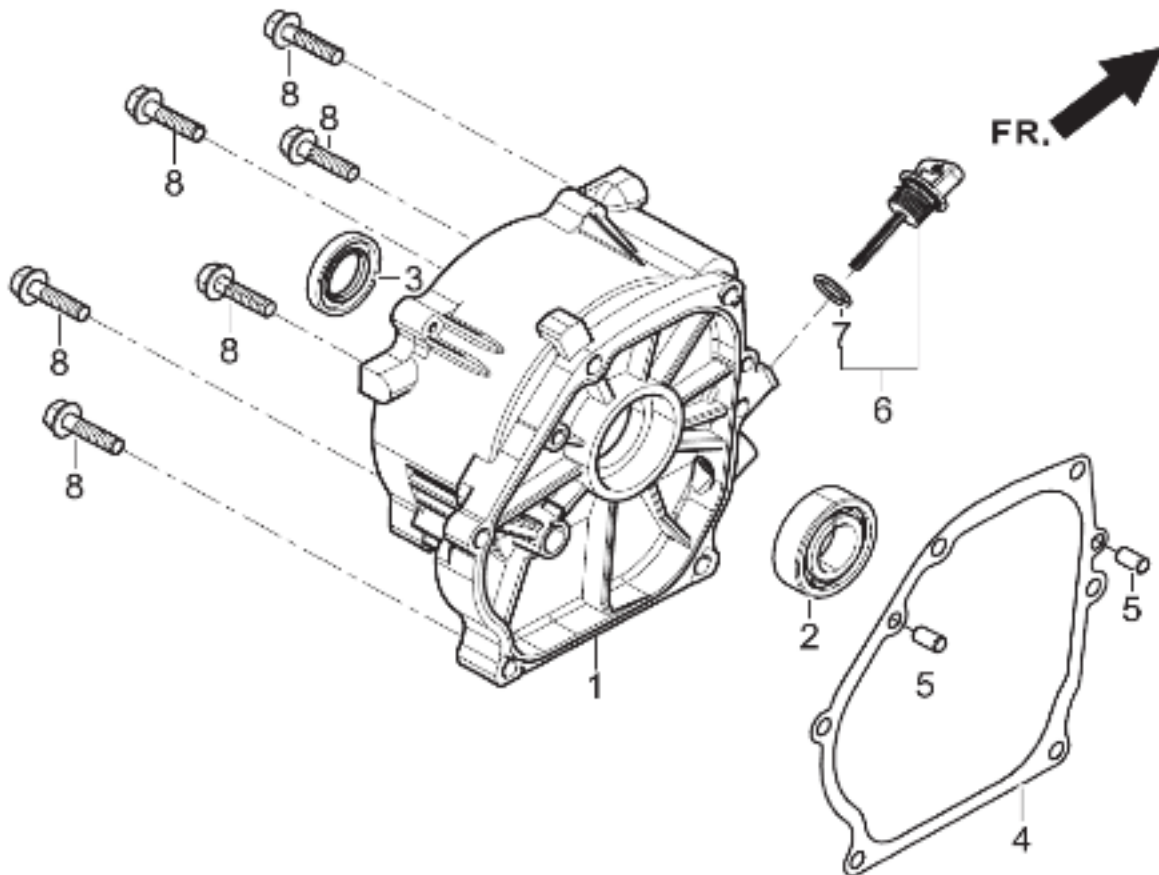
FIG. 1 CRANKCASE / GEAR ASSEMBLY (E01)



REF. NO	DESCRIPTION	QTY	BE PART NUMBER
E01 - 1	CRANKCASE SUBASSEMBLY.	1	
E01 - 2	SENSOR, ENGINE OIL	1	85.571.716
E01 - 3	GEAR ASSY, GOVERNOR	1	
E01 - 4	BOLT	2	
E01 - 5	PIN	1	
E01 - 6	WASHER, FLAT	1	
E01 - 7	ARM, GOVERNOR	1	
E01 - 8	BOLT, DRAIN PLUG	2	
E01 - 9	WASHER, FLAT	2	
E01 - 10	SEAL, OIL	1	
E01 - 11	BEARIN, DEEP GROOVE BALL	1	85.571.770
E01 - 12	NUT	1	

3,600 WATT GENERATOR

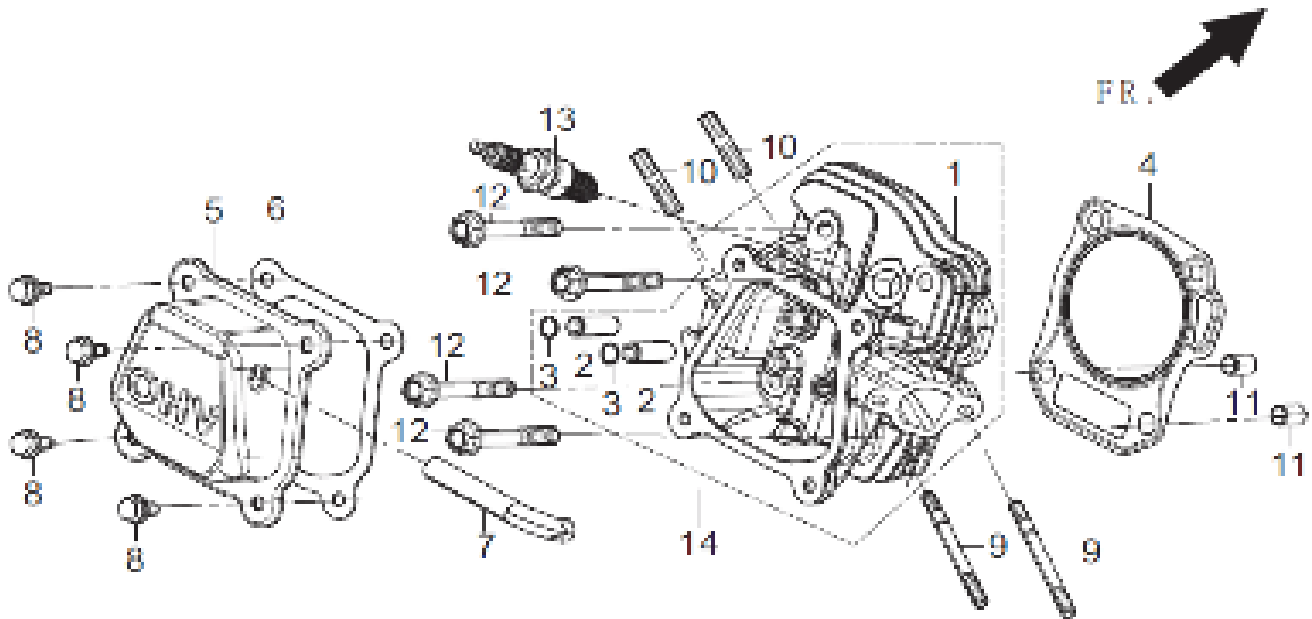
FIG. 2 COVER SUBASSEMBLY , CRANKCASE (E02)



REF. NO	DESCRIPTION	QTY	BE PART NUMBER
E02 - 1	COVER, CRANKCASE	1	
E02 - 2	BEARIN, DEEP GROOVE BALL	1	85.571.770
E02 - 3	SEAL, OIL	1	
E02 - 4	GASKET, CRANKCASE	1	
E02 - 5	PIN	2	
E02 - 6	DIPSTICK SUBASSEMBLY, OIL	1	85.571.717
E02 - 8	BOLT	6	

3,600 WATT GENERATOR

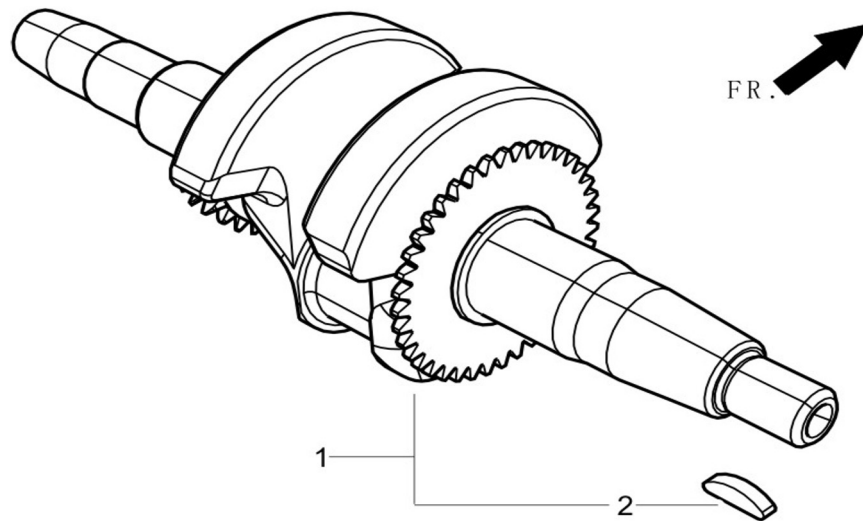
FIG. 3 HEAD SUBASSEMBLY, CYLINDER / PLUG, SPARK (E03)



REF. NO	DESCRIPTION	QTY	BE PART NUMBER
E03 - 4	GASKET, CYLINDER HEAD	1	85.571.773
E03 - 5	COVER SUBASSEMBLY, CYLINDER HEAD	1	
E03 - 6	GASKET, CYLINDER HEAD COVER	1	
E03 - 7	TUBE, BREATHER	1	85.571.752
E03 - 8	BOLT	4	
E03 - 9	BOLT	2	85.571.753
E03 - 10	BOLT	2	85.571.723
E03 - 11	PIN	2	
E03 - 12	BOLT, CYLINDER HEAD	4	
E03 - 13	PLUG, SPARK	1	
E03 - 14	HEAD SUBASSEMBLY, CYLINDER	1	

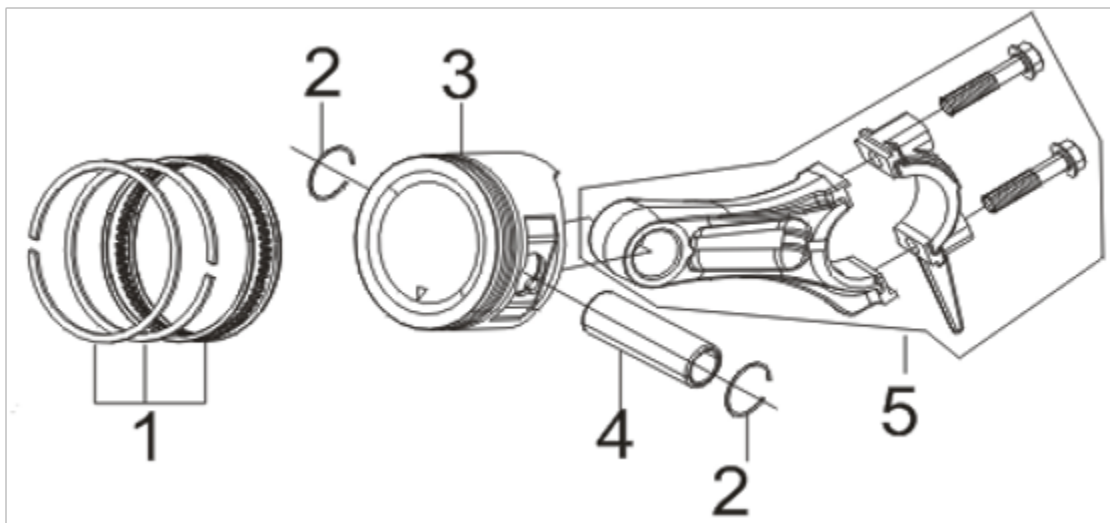
3,600 WATT GENERATOR

FIG. 4 ROD, CRANKSHAFT CONNECTING (E04)



REF. NO	DESCRIPTION	QTY	BE PART NUMBER
E04 - 1	CAMSHAFT ASSY.	1	85.571.772

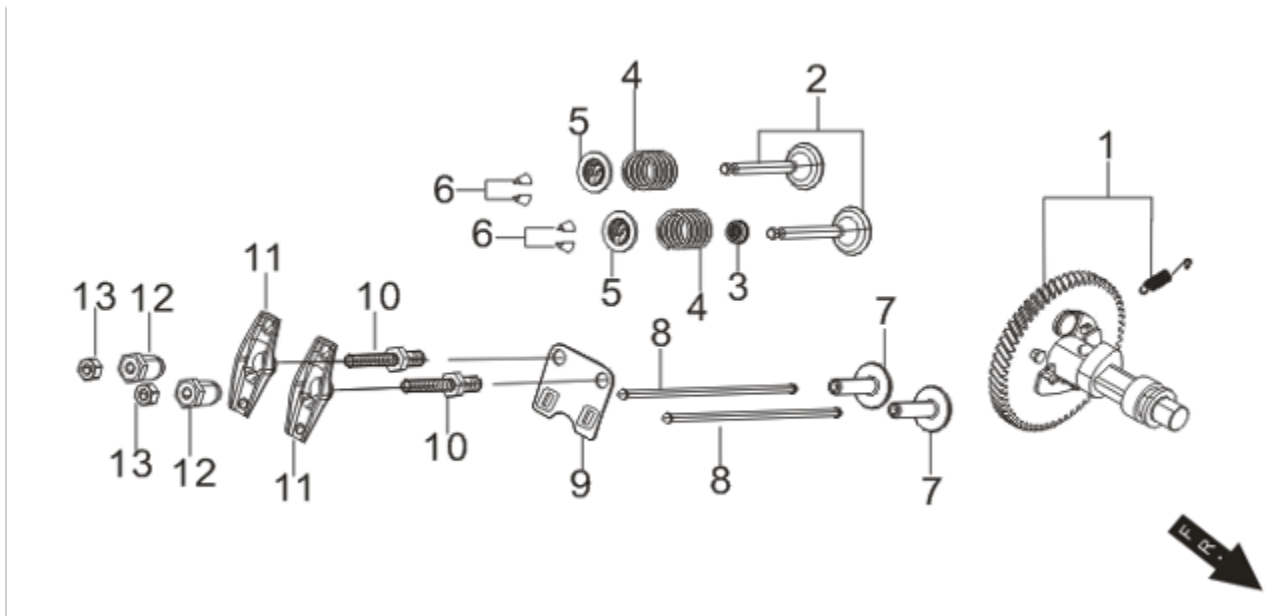
FIG. 5 RING SET, OIL / ROD, CRANKSHAFT CONNECTING (E05)



REF. NO	DESCRIPTION	QTY	BE PART NUMBER
E05 - 1	RING ASSY, PISTON	1	
E05 - 2	CLIP, PISTON PIN	2	
E05 - 3	PISTON	1	
E05 - 4	PIN, PISTON	1	
E05 - 5	ROD, CONNECTING	1	

3,600 WATT GENERATOR

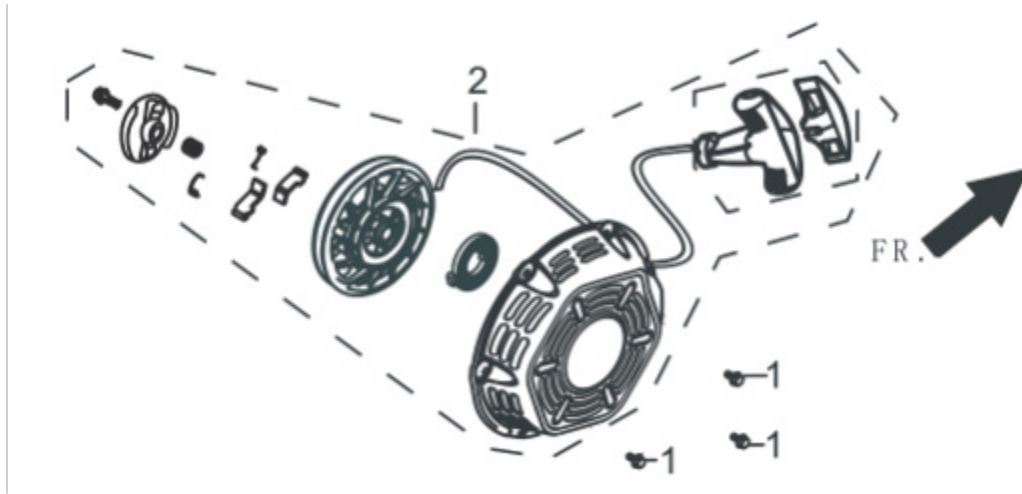
FIG. 6 TRAIN, VALVE / CAMSHAFT SUBASSEMBLY (E06)



REF. NO	DESCRIPTION	QTY	BE PART NUMBER
E06 - 1	CAMSHAFT ASSY.	1	
E06 - 2	VALVES SET	1	
E06 - 3	GUIDE, SEAL	1	
E06 - 4	SPRING, VALVE	2	
E06 - 5	SEAT, VALVE SPRING	2	
E06 - 6	CLAMP, VALVE LOCK	4	
E06 - 7	TAPPET, VALVE	2	
E06 - 8	LIFTER, VALVE	2	
E06 - 9	PLATE SUBASSEMBLY, LIFTER STOPPER	1	
E06 - 10	BOLT, ROCKER SHAFT	2	
E06 - 11	ROCKER, VALVE	2	
E06 - 12	NUT, VALVE ADJUSTING	2	
E06 - 13	NUT, VALVE LOCK	2	

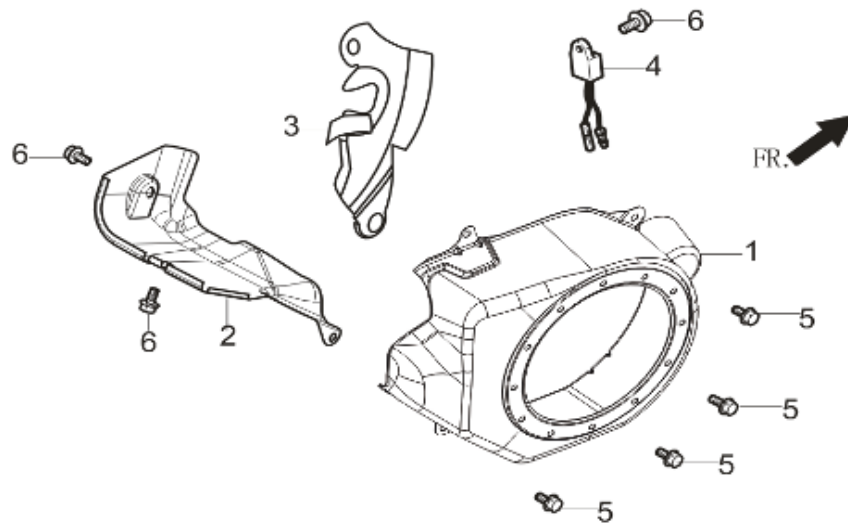
3,600 WATT GENERATOR

FIG. 7 STARTER, RECOIL (E07)



REF. NO	DESCRIPTION	QTY	BE PART NUMBER
E07 - 1	BOLT	3	
E07 - 2	STARTER ASSY, RECOIL	1	85.571.238

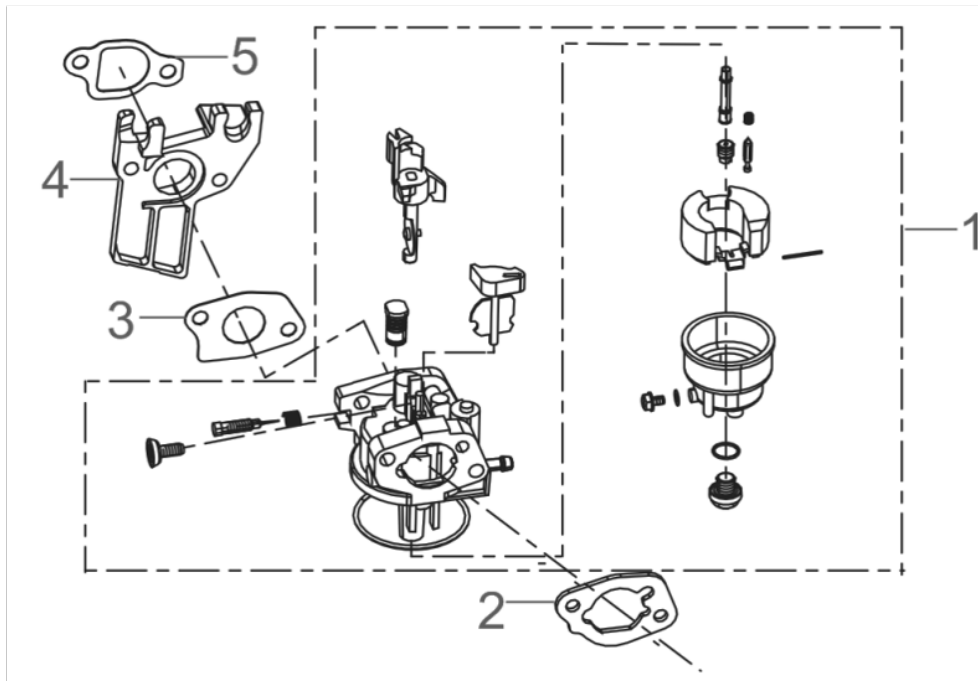
FIG. 8 SHROUD / SHIELD, LOWER (E08)



REF. NO	DESCRIPTION	QTY	BE PART NUMBER
E08 - 1	SHROUD	1	85.571.240
E08 - 2	SHROUD, CYLINDER BODY	1	
E08 - 3	SHIELD, LOWER	1	
E08 - 4	PROTECTOR, OIL	1	85.571.776
E08 - 5	BOLT	4	
E08 - 6	BOLT	3	

3,600 WATT GENERATOR

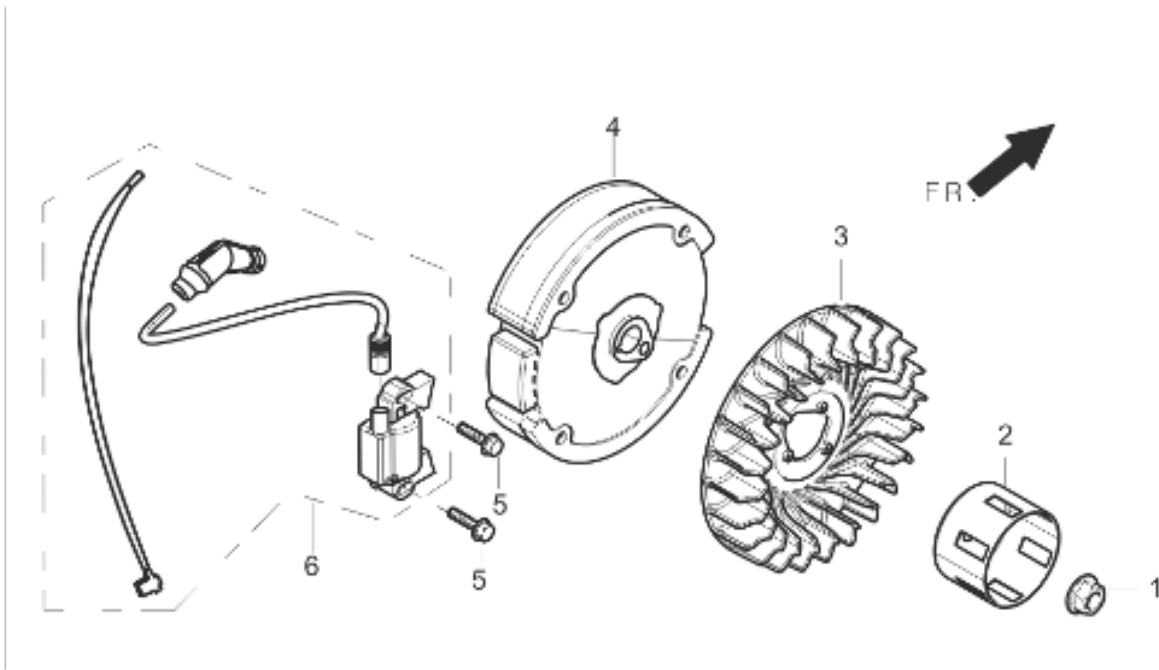
FIG. 9 CARBURETOR ASSEMBLY (E09)



REF. NO	DESCRIPTION	QTY	BE PART NUMBER
E09 - 1	CARBURETOR ASSY.	1	85.571.777
E09 - 2	GASKET, AIR CLEANER	1	
E09 - 3	GASKET, CARBURETOR	1	
E09 - 4	PLATE, CARBURETOR INSULATOR	1	
E09 - 5	GASKET, CARBURETOR INSULATOR	1	

3,600 WATT GENERATOR

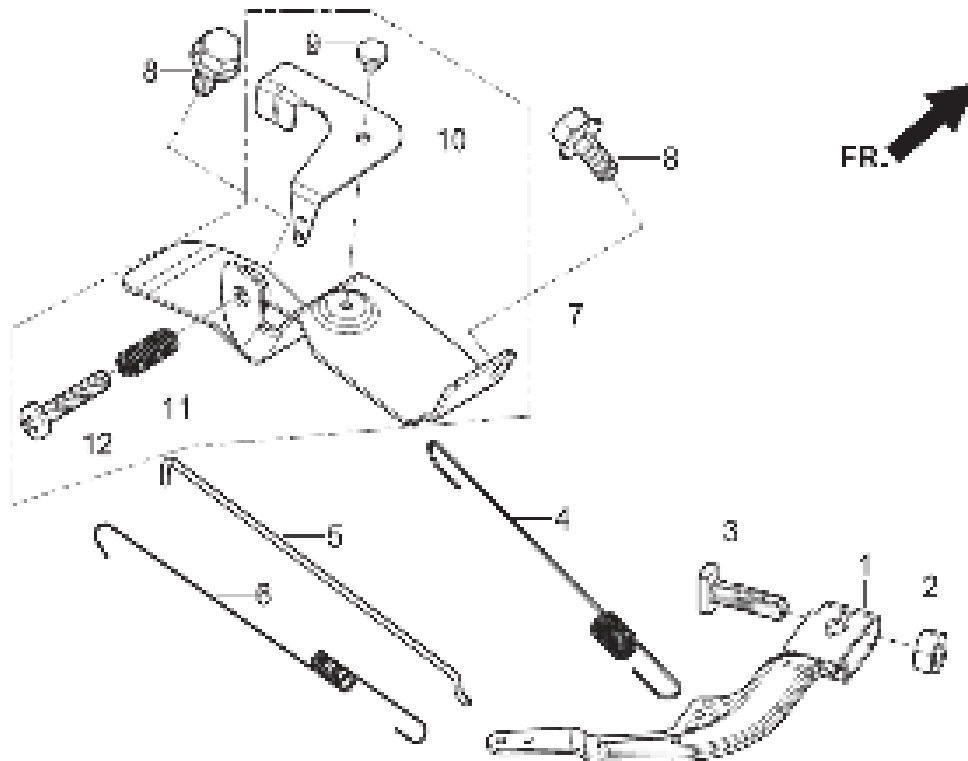
FIG. 10 FLYWHEEL / IMPELLER / STARTER PULLEY / IGNITION COIL (E10)



REF. NO	DESCRIPTION	QTY	BE PART NUMBER
E10 - 1	NUT, FLYWHEEL	1	
E10 - 2	PULLEY,STARTER	1	85.571.780
E10 - 3	IMPELLER	1	
E10 - 4	FLYWHEEL SUBASSEMBLY	1	
E10 - 5	BOLT	2	
E10 - 6	COIL, IGNITION	1	

3,600 WATT GENERATOR

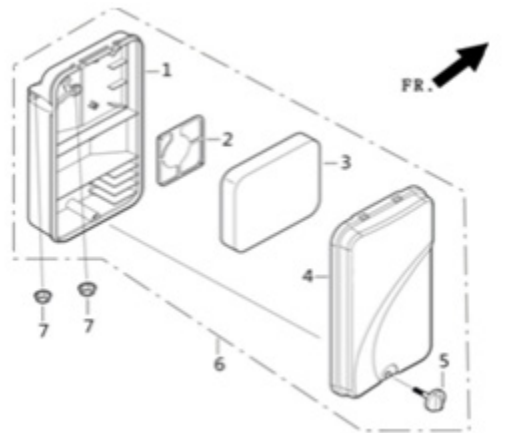
FIG. 11 CONTROL ASSEMBLY, THROTTLE (E11)



REF. NO	DESCRIPTION	QTY	BE PART NUMBER
E11 - 1	SUPPORT SUBASSEMBLY, GOVERNOR	1	
E11 - 2	NUT	1	
E11 - 3	BOLT, GOVERNOR SUPPORT	1	
E11 - 4	SPRING, GOVERNOR	1	
E11 - 5	ROD, GOVERNOR	1	
E11 - 6	SPRING, THROTTLE VALVE RETURNING	1	
E11 - 7	CONTROL ASSY, THROTTLE	1	
E11 - 8	BOLT	2	

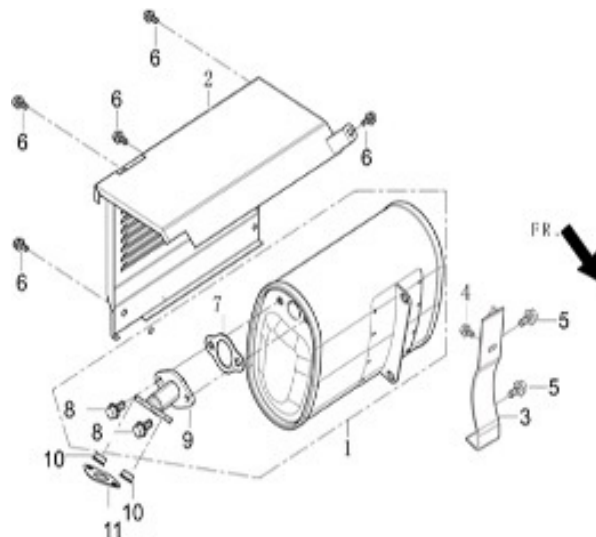
3,600 WATT GENERATOR

FIG. 13 CLEANER AIR (F01)



REF. NO	DESCRIPTION	QTY	BE PART NUMBER
F01 - 6	CLEANER, AIR	1	85.571.253
F01 - 7	NUT	2	

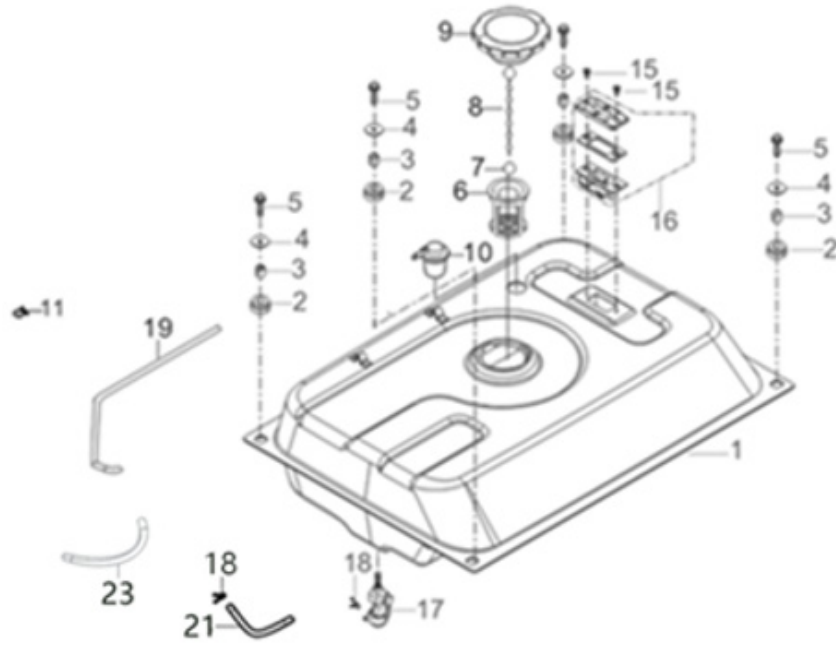
FIG. 14 MUFFLER ASSEMBLY (F02)



REF. NO	DESCRIPTION	QTY	BE PART NUMBER
F02 - 1	MUFFLER ASSY.	1	
F02 - 2	COVER, MUFFLER OUTER	1	
F02 - 3	BRACKET, MUFFLER	1	
F02 - 4	BOLT	1	
F02 - 5	BOLT	2	
F02 - 6	BOLT	5	
F02 - 10	NUT	2	
F02 - 11	GASKET, EXHAUST OUTLET	1	

3,600 WATT GENERATOR

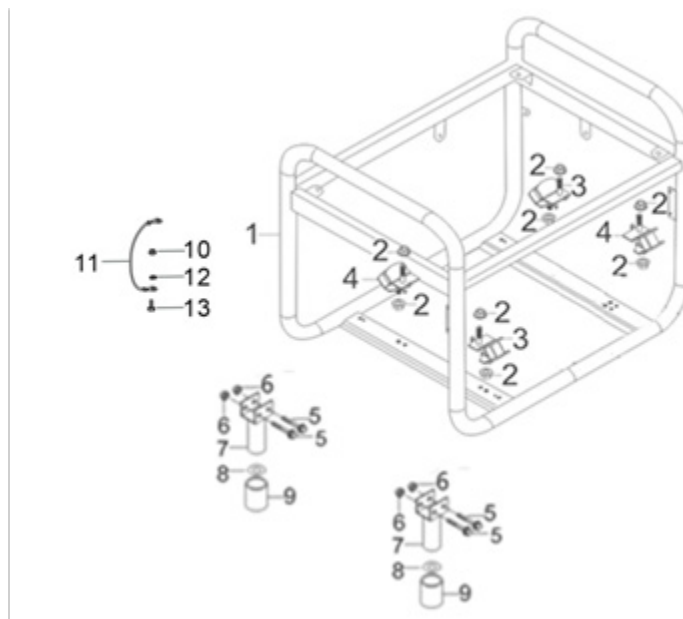
FIG. 15 TANK, FUEL (F03)



REF. NO	DESCRIPTION	QTY	BE PART NUMBER
F03 - 1	TANK, FUEL	1	
F03 - 2	SLEEVE, FUEL TANK RUBBER	4	
F03 - 3	BUSH	4	
F03 - 4	WASHER, FLAT	4	
F03 - 5	BOLT	4	
F03 - 6	STRAINER, FUEL	1	
F03 - 7	PREVENT TO TAKE OFF THE CHAIN CLIP	1	
F03 - 8	CHAIN PROOF OFF, FUEL TANK COVER	1	
F03 - 9	COVER, FUEL TANK	1	85.571.255
F03 - 10	VALVE, ONE WAY	1	85.572.000
F03 - 11	CLAMP	1	
F03 - 15	BOLT	2	
F03 - 16	LEVELER ASSY, OIL	1	
F03 - 17	COCK ASSY, FUEL	1	85.571.785
F03 - 18	COLLAR	2	
F03 - 19	HOSE, FUEL STEAM RUBBER	1	
F03 - 21	TUBE, FUEL	1	
F03 - 23	JACKET, RUBBER	1	

3,600 WATT GENERATOR

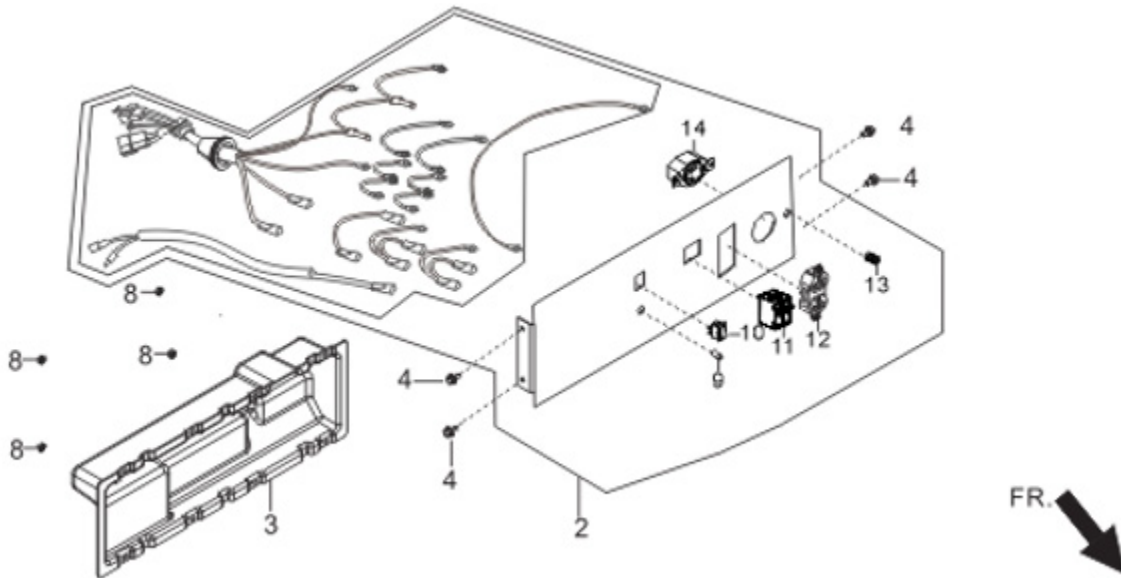
FIG. 16 FRAME, ENGINE (F04)



REF. NO	DESCRIPTION	QTY	BE PART NUMBER
F04 - 1	FRAME ASSY, ENGINE	1	
F04 - 2	NUT	8	
F04 - 3	CUSHION, ENGINE FRAME	2	
F04 - 4	CUSHION, ENGINE FRAME RIGHT	2	
F04 - 5	BOLT	4	
F04 - 6	NUT	2	
F04 - 7	SUPPORT, ENGINE FRAME SHOCK ABSORPTION	2	
F04 - 8	WASHER, FLAT	2	
F04 - 9		2	
F04 - 10	NUT	1	
F04 - 11	GROUNDING	1	
F04 - 12	WASHER,SERRATED LOCK EXTERNAL TEETH	1	
F04 - 13	BOLT	1	

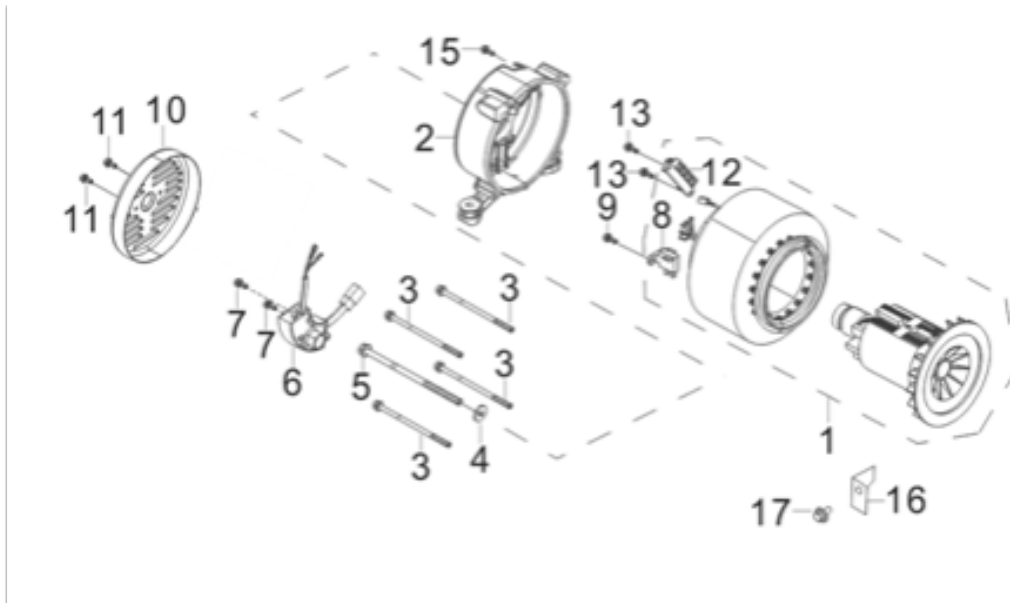
3,600 WATT GENERATOR

FIG. 17 PANEL SUBASSEMBLY, CONTROL (F05)



REF. NO	DESCRIPTION	QTY	BE PART NUMBER
F05 - 2	PANEL SUBASSEMBLY, CONTROL	1	
F05 - 3	CASE, PANEL REAR	1	
F05 - 4	BOLT	4	
F05 - 8	NUT	4	
F05 - 9	LIGHT, OIL INDICATOR	1	85.571.796
F05 - 10	SWITCH SUBASSEMBLY	1	85.571.057
F05 - 11	BREAKER, DOUBLE-POLE	1	
F05 - 12	SOCKET SUBASSEMBLY, POWER SUPPLY	1	
F05 - 13	TERMINAL SUBASSEMBLY, GROUNDING	1	85.571.810
F05 - 14	SOCKET SUBASSEMBLY, POWER SUPPLY	1	

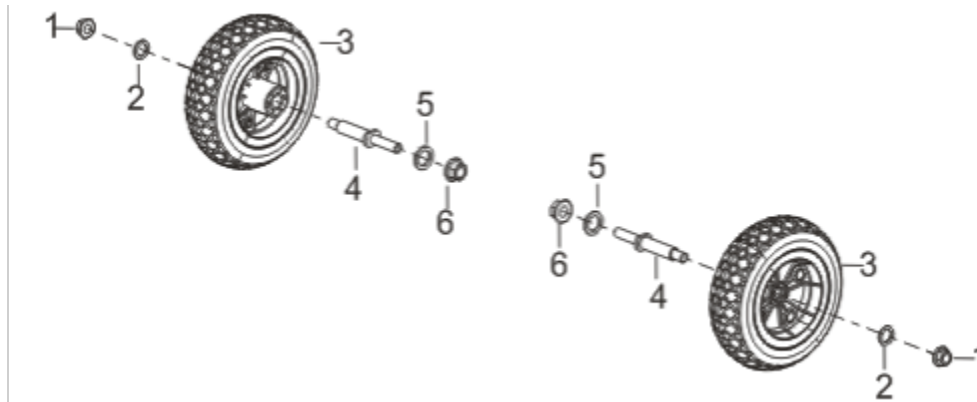
3,600 WATT GENERATOR FIG. 18 ROTOR / STATOR (F06)



REF. NO	DESCRIPTION	QTY	BE PART NUMBER
F06 - 1	MOTOR ASSY.	1	
F06 - 2	BRACKET, MOTOR	1	
F06 - 3	BOLT, STATOR	4	
F06 - 4	WASHER, FLAT	1	
F06 - 5	BOLT, ROTOR	1	
F06 - 6	REGULATOR, VOLTAGE	1	85.571.813
F06 - 7	BOLT	2	
F06 - 8	BRUSH SUBASSEMBLY, CARBON	1	85.571.060
F06 - 9	BOLT	1	
F06 - 10	COVER, MOTOR TAIL	1	85.571.222
F06 - 11	BOLT	2	
F06 - 12	BLOCK, TERMINAL	1	
F06 - 13	BOLT	2	
F06 - 15	BOLT	1	
F06 - 16	STOPPER, MOTOR RIGHT COVER	1	
F06 - 17	BOLT	1	

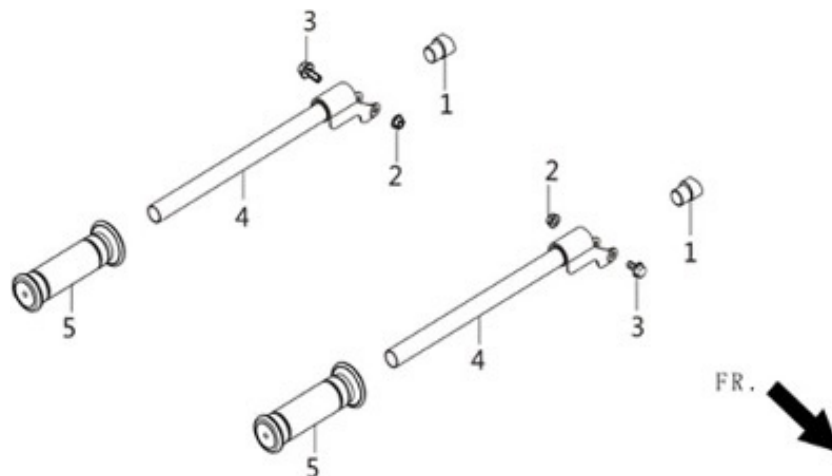
3,600 WATT GENERATOR

FIG. 19 WHEEL ASSEMBLY (F07)



REF. NO	DESCRIPTION	QTY	BE PART NUMBER
F07 - 1	NUT	2	
F07 - 2	WASHER, FLAT	2	
F07 - 3	WHEEL, FRONT	2	
F07 - 4	SHAFT, FRONT WHEEL	2	
F07 - 5	WASHER, FLAT	2	
F07 - 6	NUT	2	

FIG. 20 FRAME, ENGINE (F08)



REF. NO	DESCRIPTION	QTY	BE PART NUMBER
F08 - 1	HANDLE TUBE CONNECTING SEAT	2	
F08 - 2	NUT	2	
F08 - 3	BOLT	2	
F08 - 4	HANDLE TUBE ASSY	2	
F08 - 5	SLEEVE, HANDLE RUBBER	2	