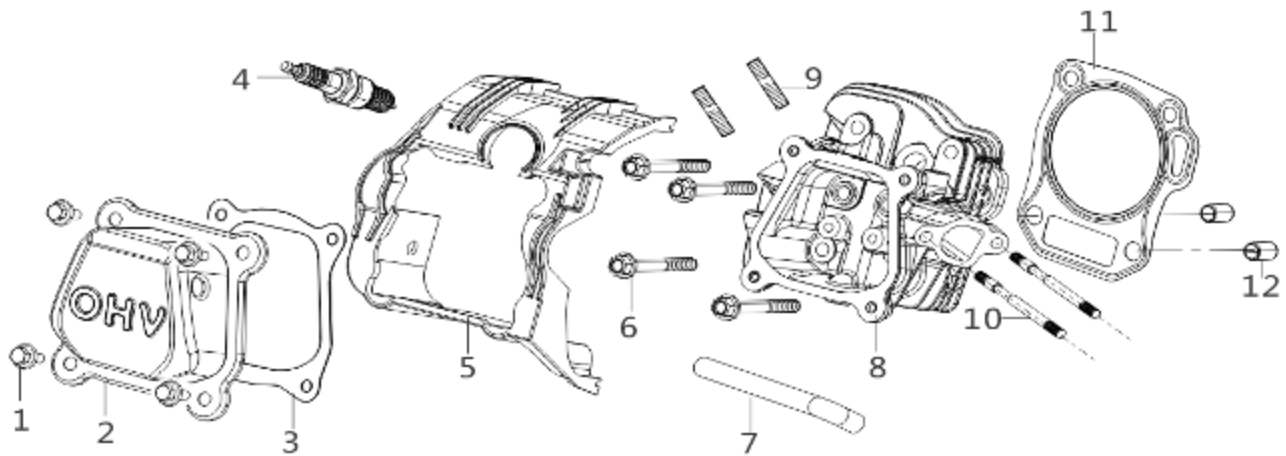


3,500 WATT INVERTER GENERATOR

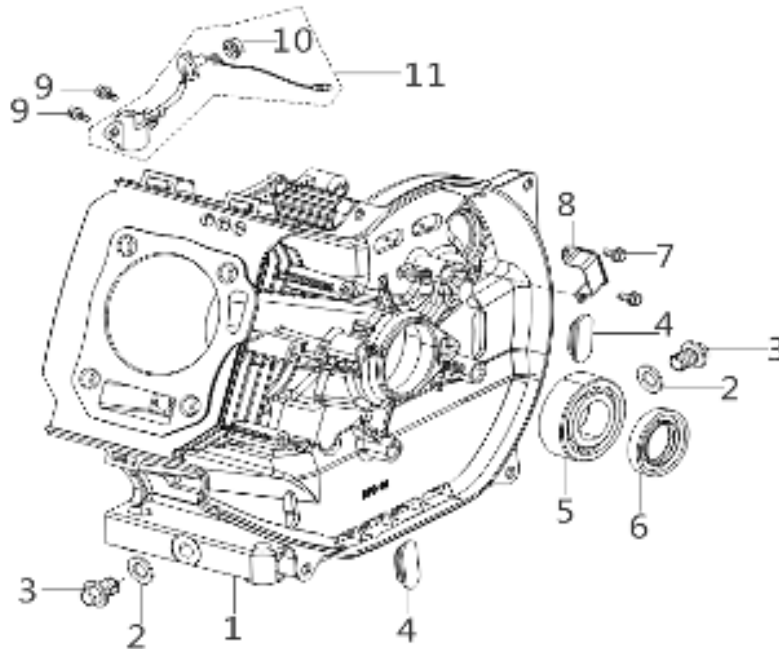
FIG. 1 HEAD SUBASSEMBLY, CYLINDER / PLUG SPARK (E01)



REF. NO	DESCRIPTION	QTY	BE PART NUMBER
E01 - 1	BOLT	4	
E01 - 2	COVER SUBASSEMBLY, CYLINDER HEAD	1	
E01 - 3	GASKET, CYLINDER HEAD COVER	1	
E01 - 4	PLUG, SPARK	1	
E01 - 5	SHROUD, CYLINDER BODY	1	
E01 - 6	BOLT, CYLINDER HEAD	4	
E01 - 7	TUBE, BREATHER	1	85.571.721
E01 - 8	HEAD SUBASSEMBLY, CYLINDER	1	
E01 - 9	BOLT	2	85.571.723
E01 - 10	BOLT	2	85.571.724
E01 - 11	GASKET, CYLINDER HEAD	1	
E01 - 12	PIN	2	

3,500 WATT INVERTER GENERATOR

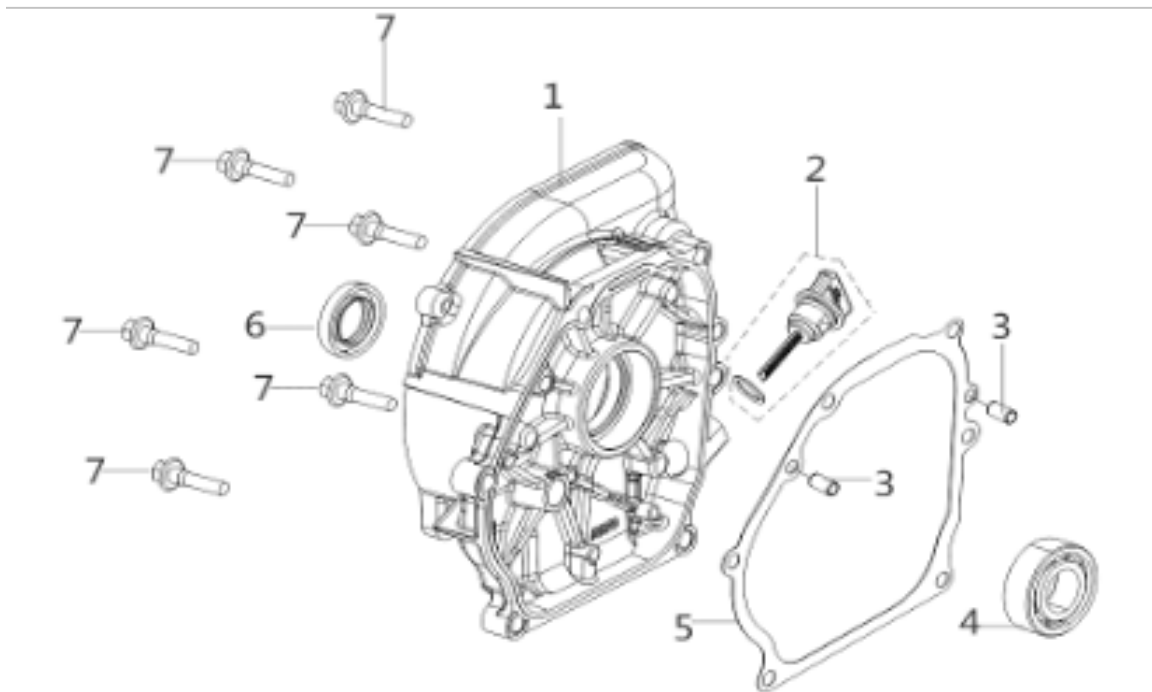
FIG. 2 CRANKCASE / GEAR ASSEMBLY, GOVERNOR (E02)



REF. NO	DESCRIPTION	QTY	BE PART NUMBER
E02 - 1	CRANKCASE SUBASSEMBLY.	1	
E02 - 2	WASHER, FLAT	2	
E02 - 3	BOLT, DRAIN PLUG	2	
E02 - 4	PLUG, END	2	
E02 - 5	BEARING, DEEP GROOVE BALL	1	
E02 - 6	SEAL, OIL	1	85.571.715
E02 - 7	BOLT	2	
E02 - 8	CLAMP, GENERATOR LEAD WIRE	1	
E02 - 9	BOLT	2	
E02 - 10	NUT	1	
E02 - 11	SENSOR, ENGINE OIL	1	85.571.716

3,500 WATT INVERTER GENERATOR

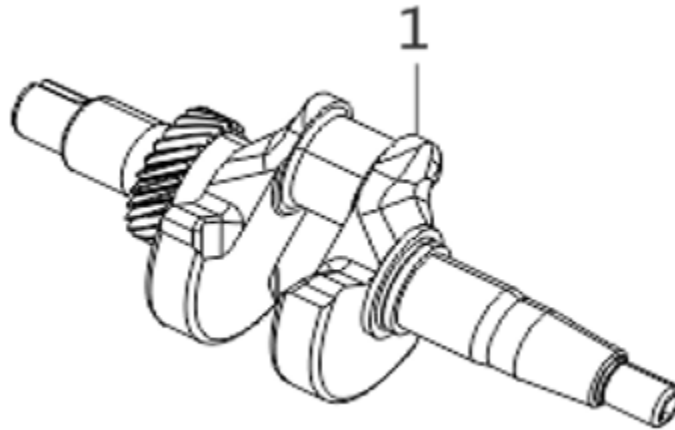
FIG. 3 COVER SUBASSEMBLY, CRANKCASE (E03)



REF. NO	DESCRIPTION	QTY	BE PART NUMBER
E03 - 1	COVER, CRANKCASE	1	
E03 - 2	DIPSTICK SUBASSEMBLY, OIL	1	85.571.717
E03 - 3	PIN	2	
E03 - 4	BEARING, DEEP GROOVE BALL	1	
E03 - 5	GASKET, CRANKCASE	1	85.571.718
E03 - 6	SEAL, OIL	1	85.571.715
E03 - 7	BOLT	6	

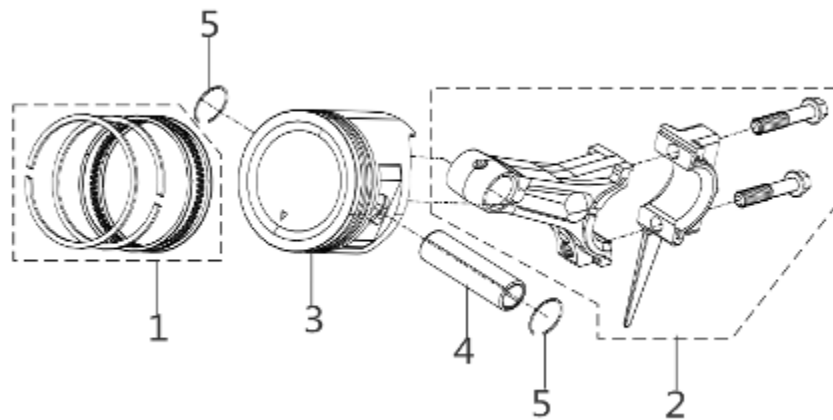
3,500 WATT INVERTER GENERATOR

FIG. 4 CRANKSHAFT CONNECTING (E04)



REF. NO	DESCRIPTION	QTY	BE PART NUMBER
E04 - 1	CAMSHAFT ASSY.	1	

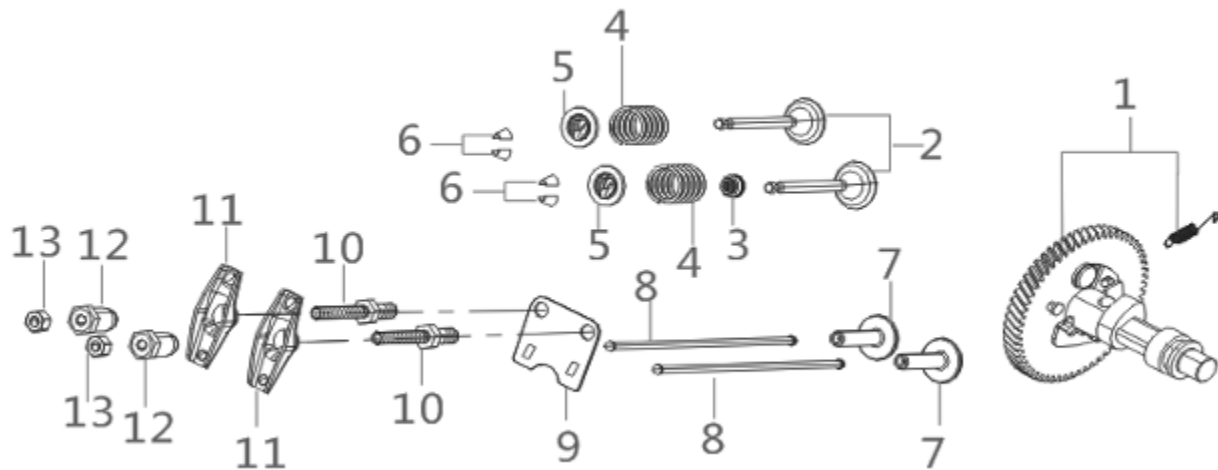
FIG. 5 RING SET, OIL / ROD, CRANKSHAFT CONNECTING (E05)



REF. NO	DESCRIPTION	QTY	BE PART NUMBER
E05 - 1	RING ASSY, PISTON	1	
E05 - 2	ROD, CONNECTING	1	
E05 - 3	PISTON	1	
E05 - 4	PIN, PISTON	1	
E05 - 5	CLIP, PISTON PIN	2	

3,500 WATT INVERTER GENERATOR

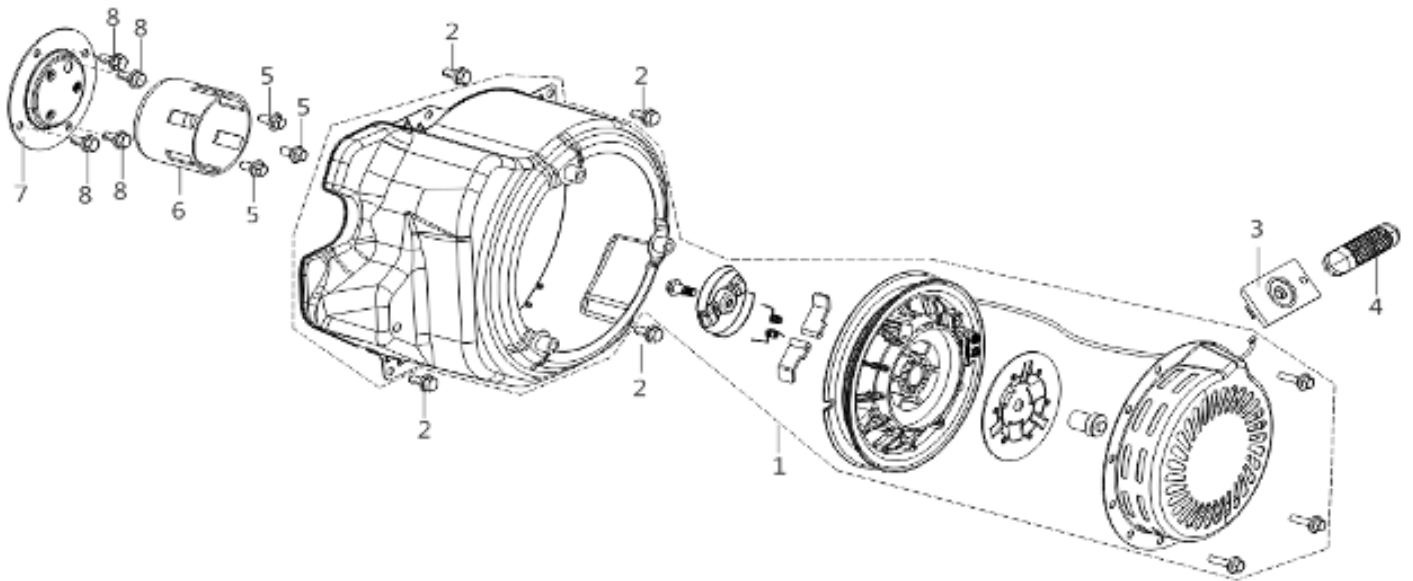
FIG. 6 TRAIN, VALVE / CAMSHAFT SUBASSEMBLY (E06)



REF. NO	DESCRIPTION	QTY	BE PART NUMBER
E06 - 1	CAMSHAFT ASSY.	1	
E06 - 2	VALVE	1	
E06 - 3	GUIDE, SEAL	1	
E06 - 4	SPRING, VALVE	2	
E06 - 5	SEAT, VALVE SPRING	2	
E06 - 6	CLAMP, VALVE LOCK	4	
E06 - 7	TAPPET, VALVE	2	
E06 - 8	LIFTER, VALVE	2	85.571.732
E06 - 9	PLATE SUBASSEMBLY, LIFTER STOPPER	1	
E06 - 10	BOLT, ROCKER SHAFT	2	
E06 - 11	ROCKER, VALVE	2	
E06 - 12	NUT, VALVE ADJUSTING	2	
E06 - 13	NUT, VALVE LOCK	2	

3,500 WATT INVERTER GENERATOR

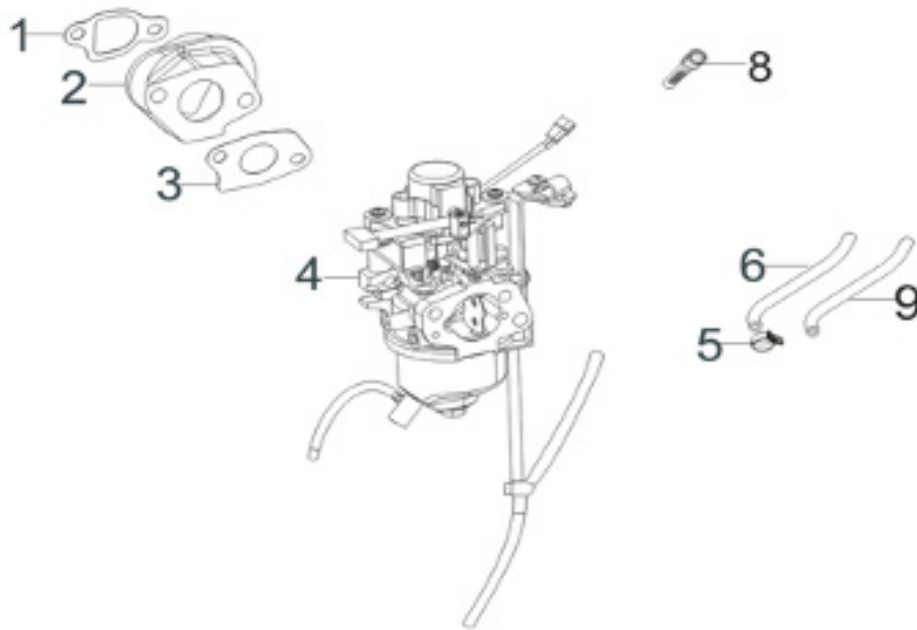
FIG. 7 STARTER, RECOIL (E07)



REF. NO	DESCRIPTION	QTY	BE PART NUMBER
E07 - 1	STARTER, RECOIL	1	
E07 - 2	BOLT	4	
E07 - 3	GUIDE SUBASSEMBLY, STARTING ROPE	1	
E07 - 4	HANDLE, RECOIL STRATER CABLE	1	
E07 - 5	BOLT	3	
E07 - 6	PULLEY,STARTER	1	
E07 - 7	SEAT, STARTER CUP	1	
E07 - 8	BOLT	4	

3,500 WATT INVERTER GENERATOR

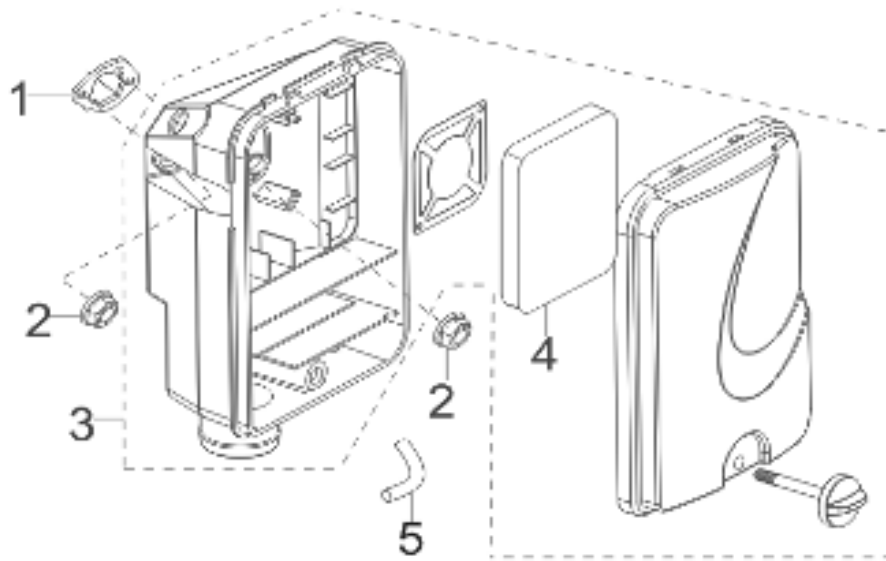
FIG. 8 CARBURETOR ASSEMBLY (E08)



REF. NO	DESCRIPTION	QTY	BE PART NUMBER
E08 - 1	GASKET, CARBURETOR INSULATOR	1	
E08 - 2	PLATE, CARBURETOR INSULATOR	1	
E08 - 3	GASKET, CARBURETOR	1	
E08 - 4	CARBURETOR ASSY.	1	
E08 - 5	CLAMP	1	
E08 - 6	TUBE, FUEL	1	
E08 - 8	FUEL FILTER	1	
E08 - 9	JACKET, RUBBER	1	

3,500 WATT INVERTER GENERATOR

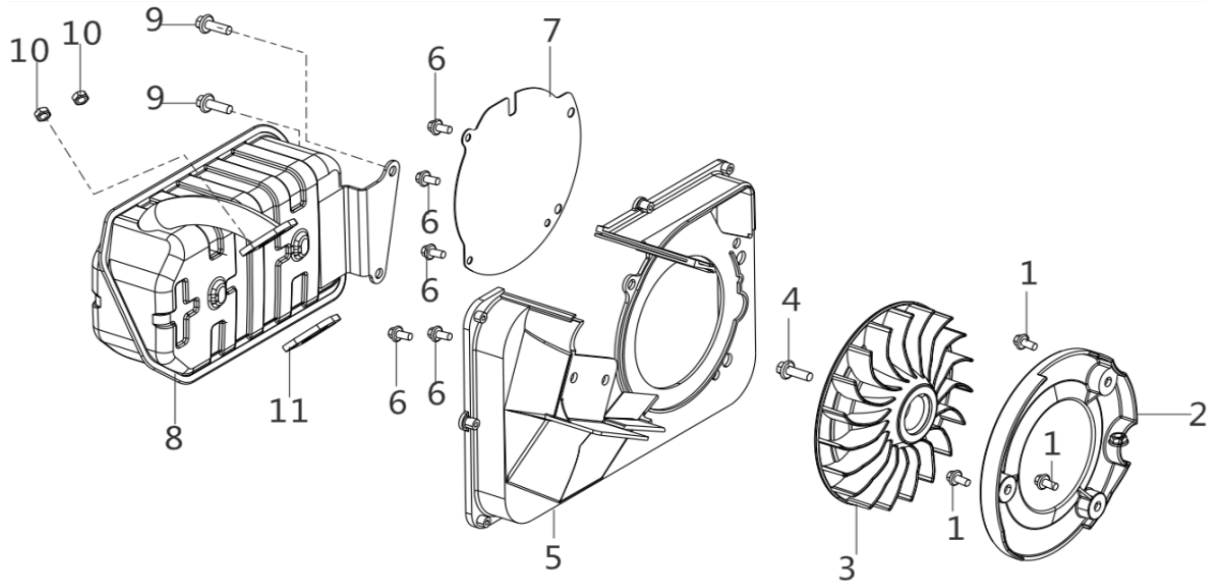
FIG. 9 CLEANER, AIR (E09)



REF. NO	DESCRIPTION	QTY	BE PART NUMBER
E09 - 1	GASKET, AIR CLEANER	1	
E09 - 2	NUT	2	
E09 - 3	CLEANER, AIR	1	
E09 - 5	TUBE, OIL DRAIN	1	

3,500 WATT INVERTER GENERATOR

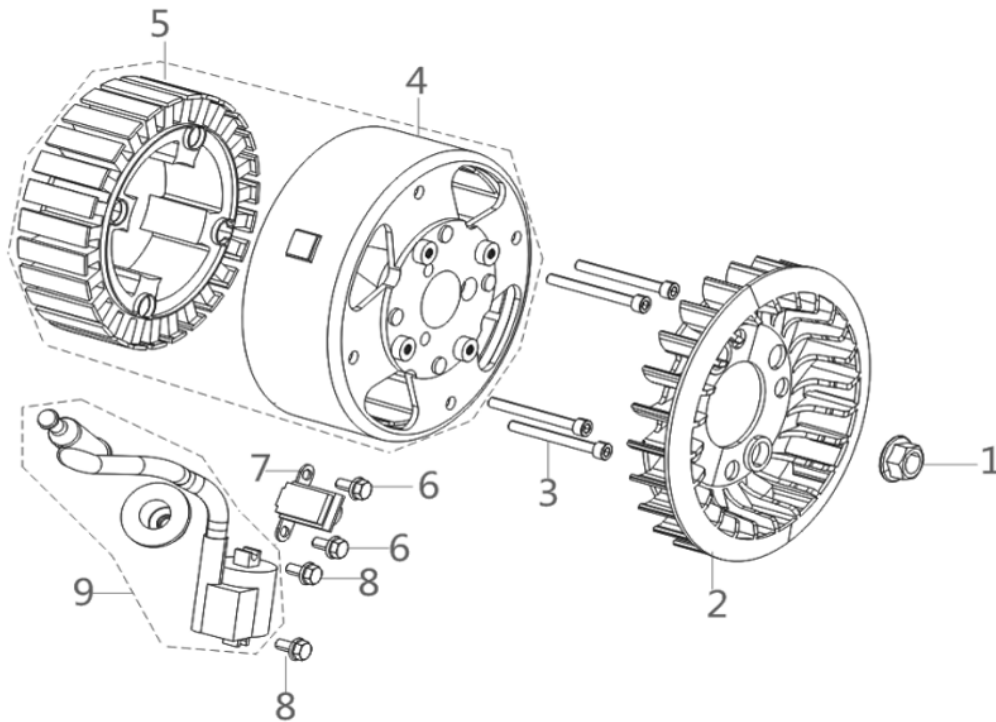
FIG. 10 MUFFLER ASSEMBLY (E10)



REF. NO	DESCRIPTION	QTY	BE PART NUMBER
E10 - 1	BOLT	3	
E10 - 2	SHROUD	1	
E10 - 3	IMPELLER	1	
E10 - 4	BOLT	1	
E10 - 5	PLATE, MUFFLER INSULATOR	1	
E10 - 6	BOLT	5	
E10 - 7	CLAPBOARD, MUFFLER	1	
E10 - 8	MUFFLER ASSY.	1	
E10 - 9	BOLT	2	
E10 - 10	NUT	2	
E10 - 11	GASKET, EXHAUST OUTLET	1	

3,500 WATT INVERTER GENERATOR

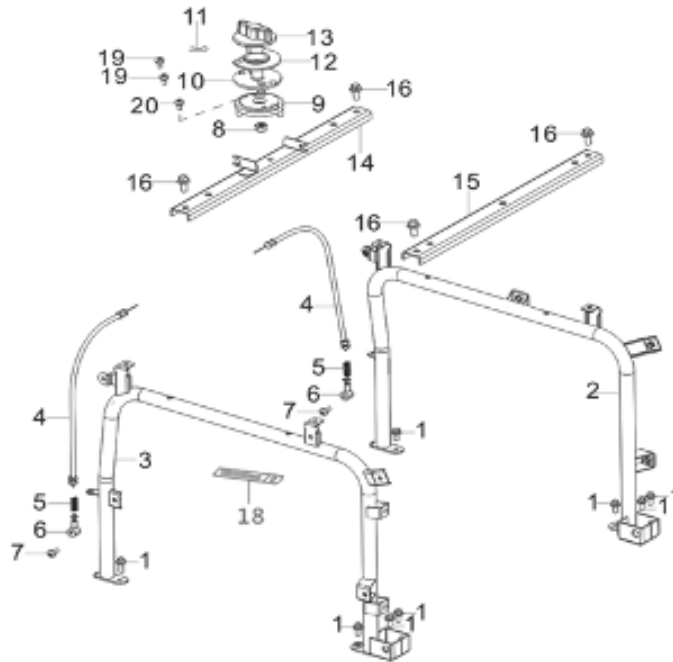
FIG. 11 FLYWHEEL / IMPELLER / STARTER PULLEY / IGNITION COIL (E11)



REF. NO	DESCRIPTION	QTY	BE PART NUMBER
E11 - 1	NUT, FLYWHEEL	1	
E11 - 2	IMPELLER	1	
E11 - 3	SCREW	4	
E11 - 4	CASE SUBASSEMBLY, MAGNETO ROTOR	1	
E11 - 5	STATOR SUBASSEMBLY, MAGNETO	1	
E11 - 6	BOLT	2	
E11 - 7	TRIGGER ASSY.	1	85.571.350
E11 - 8	BOLT	2	
E11 - 9	COIL, IGNITION	1	

3,500 WATT INVERTER GENERATOR

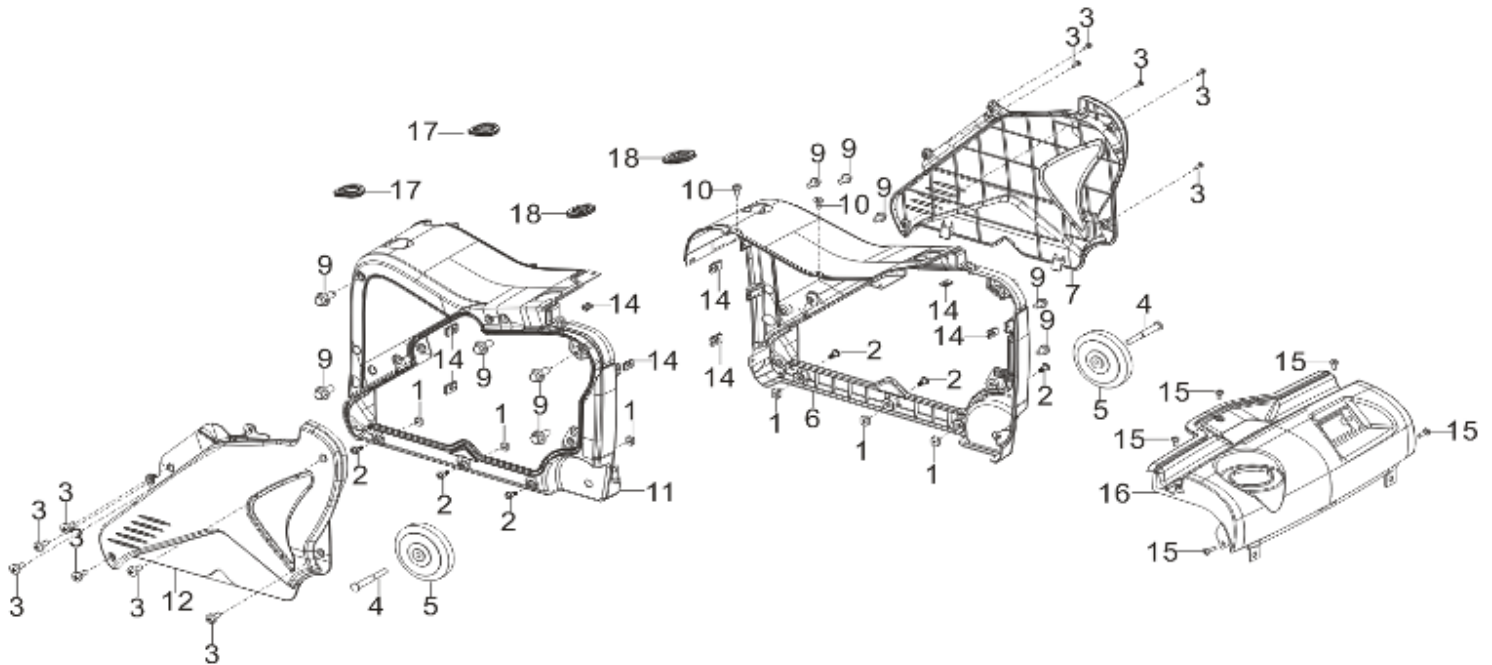
FIG. 12 FRAME (E12)



REF. NO	DESCRIPTION	QTY	BE PART NUMBER
E12 - 1	BOLT	8	
E12 - 2	FRAME ASSY, ENGINE	1	
E12 - 3	FRAME ASSY, ENGINE	1	
E12 - 4	LIMIT CABLE COMBINATION	2	
E12 - 5	SPRING	2	
E12 - 6	PIN	2	
E12 - 7	BOLT	2	
E12 - 8	BUSH	1	
E12 - 9	CABLE INSTALL BRACKET	1	
E12 - 10	BLOCK, CONTROL ARM LIMITED	1	
E12 - 11	PIN	1	
E12 - 12	GASKET, RUBBER	1	
E12 - 13	KNOB	1	
E12 - 14	CONNECTION BOARD,FRAME	1	
E12 - 15	CONNECTION BOARD,FRAME	1	
E12 - 16	BOLT	4	
E12 - 18	CLIP	1	
E12 - 19	SCREW	2	
E12 - 20	SCREW & WASHER	1	

3,500 WATT INVERTER GENERATOR

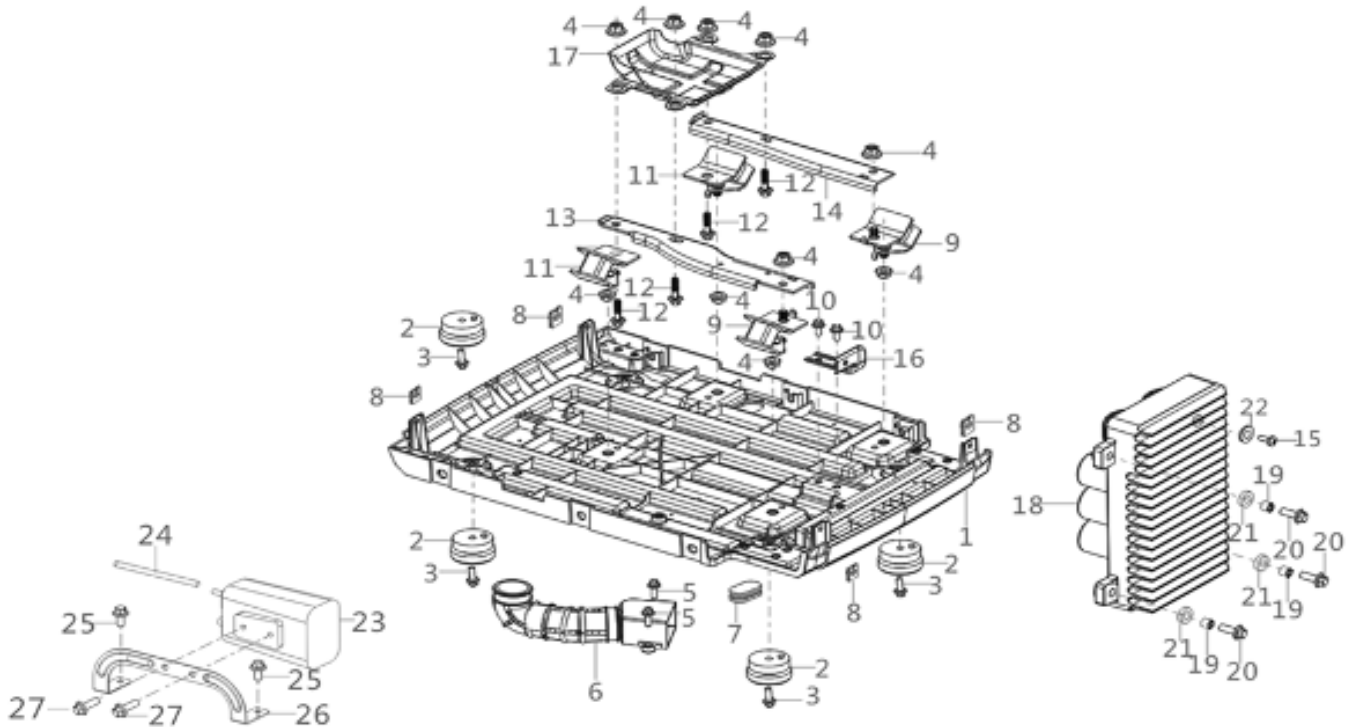
FIG. 13 (E13)



REF. NO	DESCRIPTION	QTY	BE PART NUMBER
E13 - 1	NUT	6	
E13 - 2	BOLT	6	
E13 - 3	SCREW&WASHER	11	
E13 - 4	SHAFT, FRONT WHEEL	2	
E13 - 5	WHEEL BODY, FRONT	2	
E13 - 6	SHELL, RIGHT	1	
E13 - 7	COVER,RIGHT	1	
E13 - 9	BOLT	9	
E13 - 10	BOLT	2	
E13 - 11	SHELL, LEFT	1	
E13 - 12	COVER,LEFT	1	
E13 - 14	NUT	8	
E13 - 15	BOLT	5	
E13 - 16	COVER, FRONT	1	
E13 - 17	SLEEVE, HANDLE	2	
E13 - 18	SLEEVE, HANDLE	2	

3,500 WATT INVERTER GENERATOR

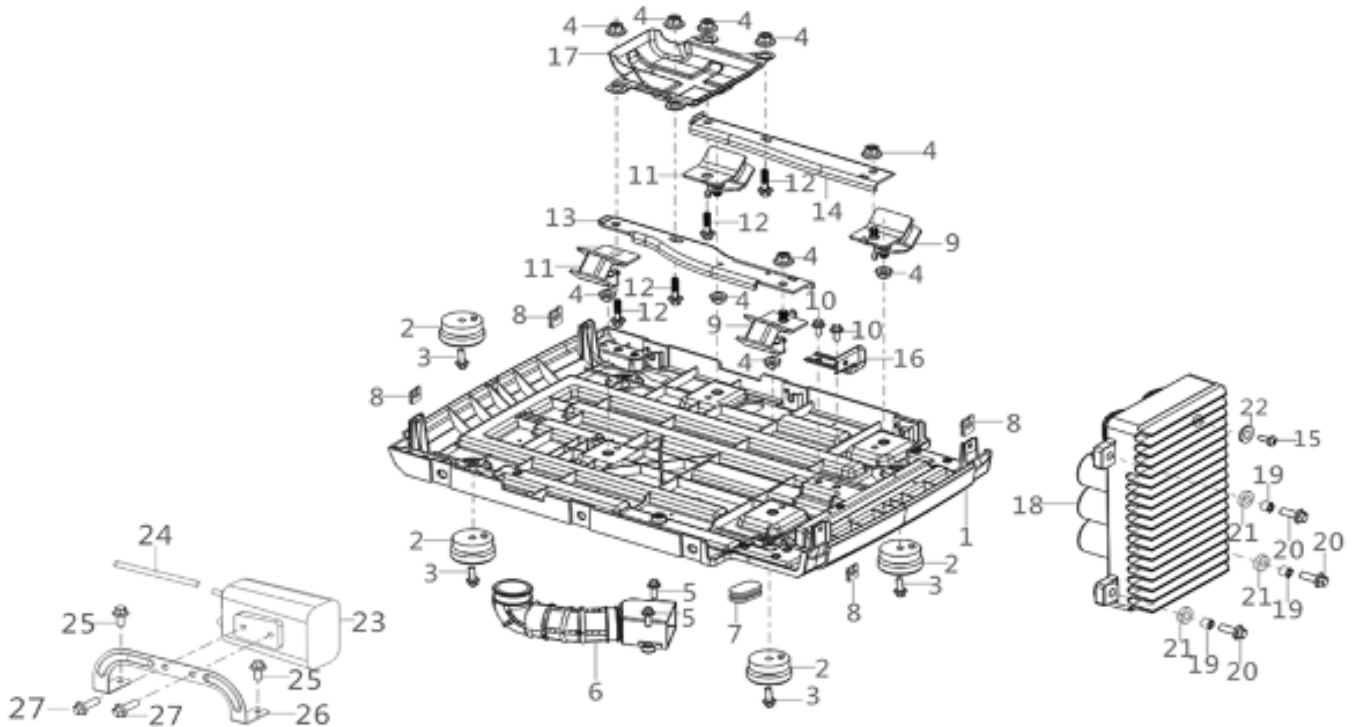
FIG. 14 (E14)



REF. NO	DESCRIPTION	QTY	BE PART NUMBER
E14 - 1	PLATE, BOTTOM	1	
E14 - 2	SEAT,FRAME	4	
E14 - 3	BOLT	4	
E14 - 4	NUT	10	
E14 - 5	BOLT	2	
E14 - 6	DUCT, AIR CLEANER INTAKE	1	
E14 - 7	PLUG, END	1	
E14 - 8	NUT	4	
E14 - 9	CUSHION, ENGINE FRAME LEFT	2	
E14 - 10	BOLT	2	
E14 - 11	CUSHION, ENGINE FRAME RIGHT	2	
E14 - 12	BOLT	4	
E14 - 13	LEFT SUPPORT, ENGINE	1	

3,500 WATT INVERTER GENERATOR

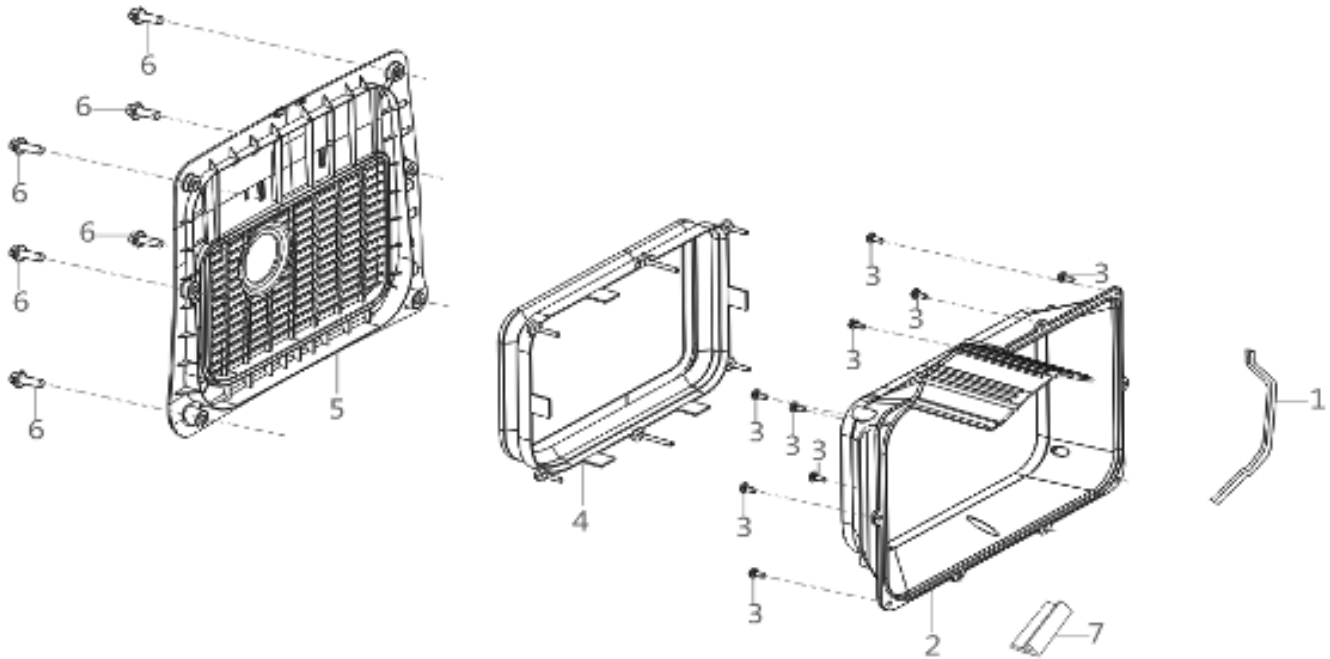
FIG. 14 (E14)



REF. NO	DESCRIPTION	QTY	BE PART NUMBER
E14 - 14	RIGHT SUPPORT, ENGINE	1	
E14 - 15	BOLT	1	
E14 - 16	BRACKET, INVERTER	1	
E14 - 17	DEFLECTOR, CRANKCASE AIR	1	
E14 - 18	INVERTOR	1	
E14 - 19	BUSH	3	
E14 - 20	BOLT	3	
E14 - 21	JACKET, RUBBER	3	
E14 - 22	WASHER, FLAT	1	
E14 - 23	COLLECTOR, FUEL STEAM	1	85.571.131
E14 - 24	HOSE, FUEL STEAM RUBBER	1	
E14 - 25	BOLT	2	
E14 - 26	BARCKET, FUEL STEAM COLLECTOR	1	
E14 - 27	BOLT	2	

3,500 WATT INVERTER GENERATOR

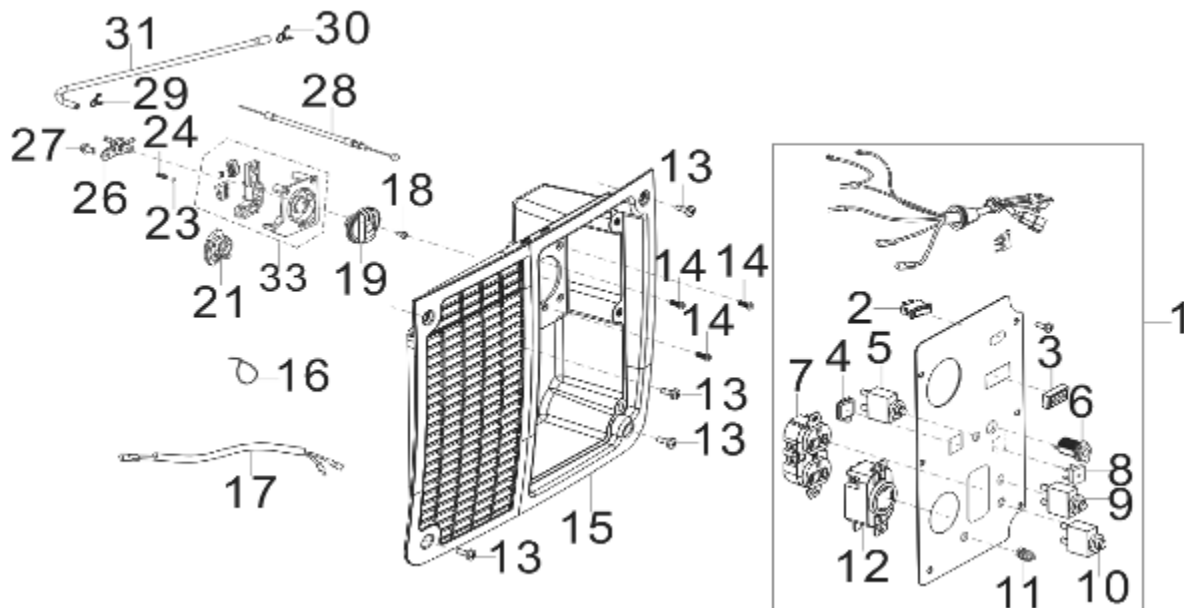
FIG. 15 (E15)



REF. NO	DESCRIPTION	QTY	BE PART NUMBER
E15 - 1	STRIP, SHROUD SEAL	1	
E15 - 2	COVER, MUFFLER OUTER	1	
E15 - 3	BOLT	9	
E15 - 4	CUSHION, MUFFLER INSULATOR RUBBER	1	
E15 - 5	COVER, MUFFLER SIDE	1	
E15 - 6	BOLT	6	
E15 - 7	STRIP, SHROUD SEAL	1	

3,500 WATT INVERTER GENERATOR

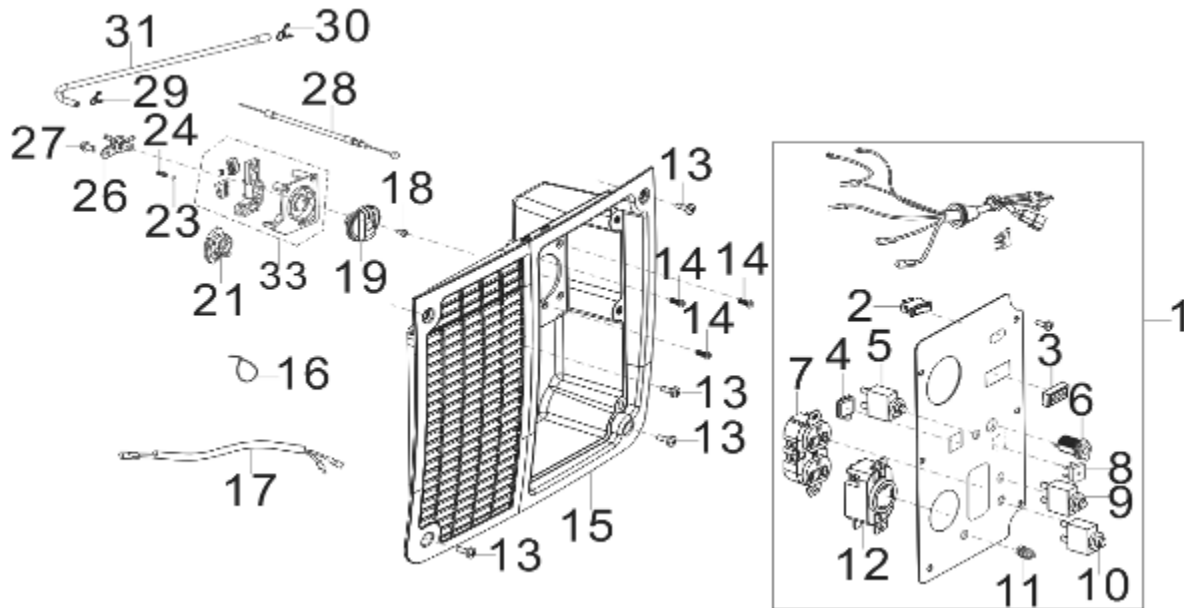
FIG. 16 (E16)



REF. NO	DESCRIPTION	QTY	BE PART NUMBER
E16 - 1	PANEL, CONTROL, ASSY.	1	
E16 - 2	SWITCH SUBASSEMBLY	1	85.571.585
E16 - 3	IGNITOR	1	85.571.747
E16 - 4	SOCKET SUBASSEMBLY, D.C	1	
E16 - 5	PROTECTOR, OVERCURRENT	1	
E16 - 6	SOCKET SUBASSEMBLY, D.C	1	85.571.844
E16 - 7	SOCKET SUBASSEMBLY, POWER SUPPLY	1	
E16 - 8	BRIDGE, RECTIFICATION	1	85.571.049
E16 - 9	PROTECTOR, OVERCURRENT	1	85.571.797
E16 - 10	PROTECTOR, OVERCURRENT	1	
E16 - 11	TERMINAL SUBASSEMBLY, GROUNDING	1	85.571.654
E16 - 12	SOCKET SUBASSEMBLY, POWER SUPPLY	1	
E16 - 13	BOLT	4	
E16 - 14	BOLT	3	

3,500 WATT INVERTER GENERATOR

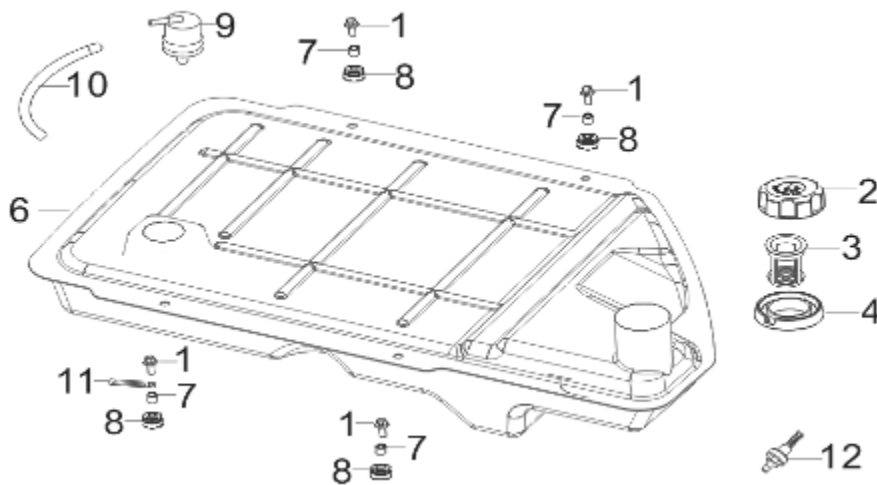
FIG. 16 (E16)



REF. NO	DESCRIPTION	QTY	BE PART NUMBER
E16 - 15	SEAT, PANEL	1	
E16 - 16	BAND	1	
E16 - 17	HARNESS, CONTROL PANEL WIRING	1	
E16 - 18	SCREW	1	
E16 - 19	KNOB	1	85.571.644
E16 - 21	COVER	1	
E16 - 23	BALL, STEEL	1	
E16 - 24	SPRING, STOPPER ADJUSTING	1	
E16 - 26	COCK ASSY, FUEL	1	85.571.646
E16 - 27	BOLT	1	
E16 - 28	HANDLE SUBASSEMBLY, CHOKE	1	85.571.365
E16 - 29	COLLAR	1	
E16 - 30	CLAMP	1	
E16 - 31	TUBE, FUEL	1	
E16 - 33	SWITCH SUBASSEMBLY	1	

3,500 WATT INVERTER GENERATOR

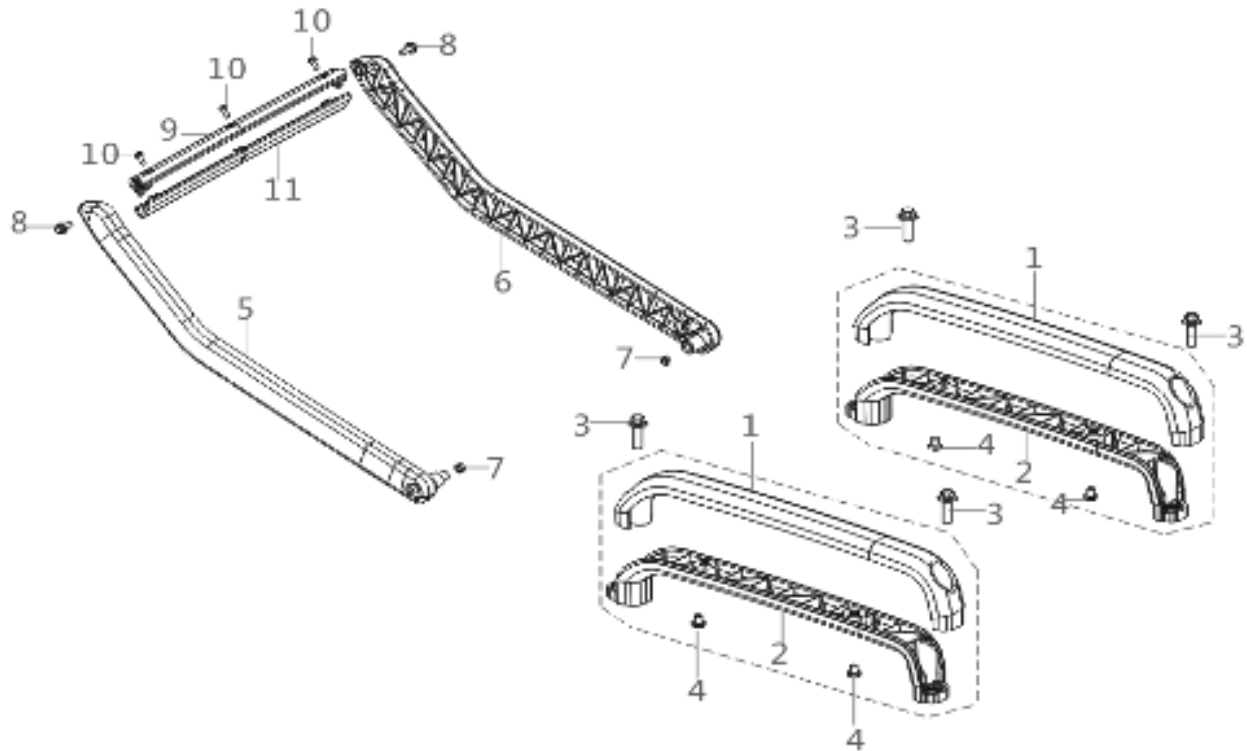
FIG. 17 TANK, FUEL (E17)



REF. NO	DESCRIPTION	QTY	BE PART NUMBER
E17 - 1	BOLT	4	
E17 - 2	COVER, FUEL TANK	1	85.571.346
E17 - 3	STRAINER, FUEL	1	
E17 - 4	SLEEVE, FILLING OIL HOLE RUBBER	1	
E17 - 6	TANK ASSY, FUEL	1	
E17 - 7	BUSH	4	
E17 - 8	SLEEVE, FUEL TANK RUBBER	4	
E17 - 9	VALVE, ONE WAY	1	
E17 - 10	HOSE, FUEL STEAM RUBBER	1	
E17 - 11	CLIP	1	
E17 - 12	OUTLET SUBASSEMBLY, FUEL TANK OIL	1	85.571.740

3,500 WATT INVERTER GENERATOR

FIG. 18 HANDLE (E18)



REF. NO	DESCRIPTION	QTY	BE PART NUMBER
E18 - 1	HANDLE	2	
E18 - 2	HANDLE	2	
E18 - 3	BLOT	4	
E18 - 4	SCREW	4	
E18 - 5	ARM,HANDLE	1	
E18 - 6	ARM,HANDLE	1	
E18 - 7	NUT	2	
E18 - 8	BLOT	2	
E18 - 9	ARM,HANDLE	1	
E18 - 10	BOLT	3	
E18 - 11	ARM,HANDLE	1	