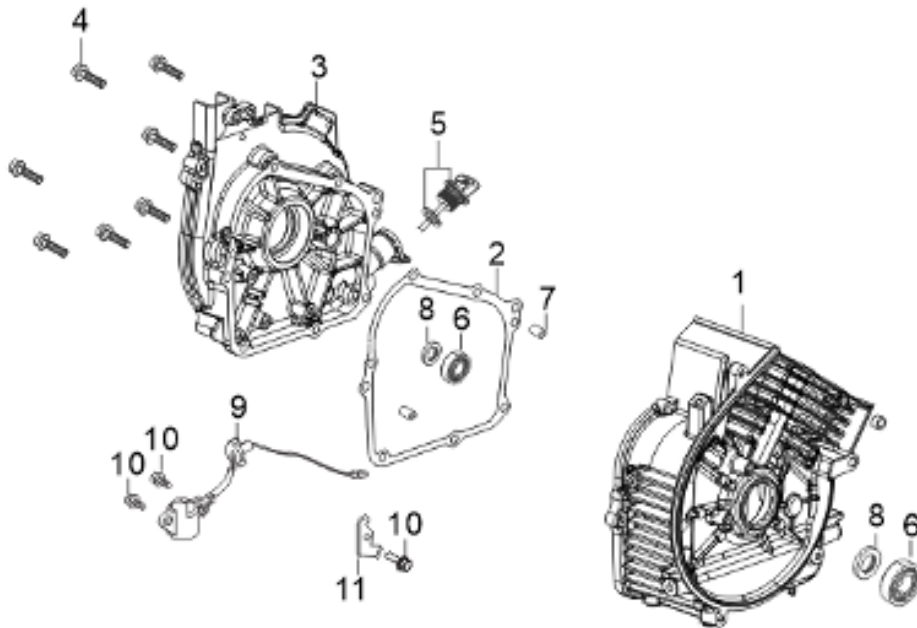


3,000 WATT INVERTER GENERATOR

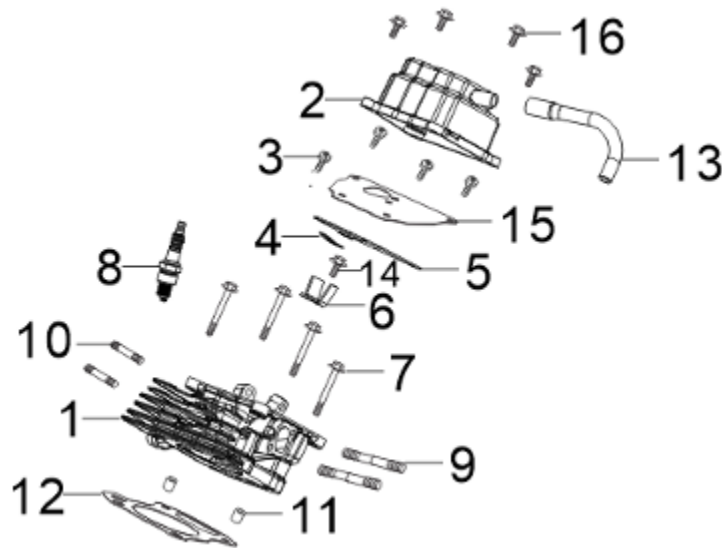
FIG. 1 CRANKCASE (E01)



REF. NO	DESCRIPTION	QTY	BE PART NUMBER
E01 - 1	CRANKCASE SUBASSEMBLY.	1	
E01 - 2	GASKET, CRANKCASE	1	
E01 - 3	COVER, CRANKCASE	1	
E01 - 4	BOLT	7	
E01 - 5	DIPSTICK SUBASSEMBLY, OIL	1	
E01 - 6	BEARIN, DEEP GROOVE BALL	2	
E01 - 7	PIN	2	
E01 - 8	SEAL, OIL	2	85.571.561
E01 - 9	SENSOR, ENGINE OIL	1	85.571.578
E01 - 10	BOLT	3	
E01 - 11	CLAMP	1	

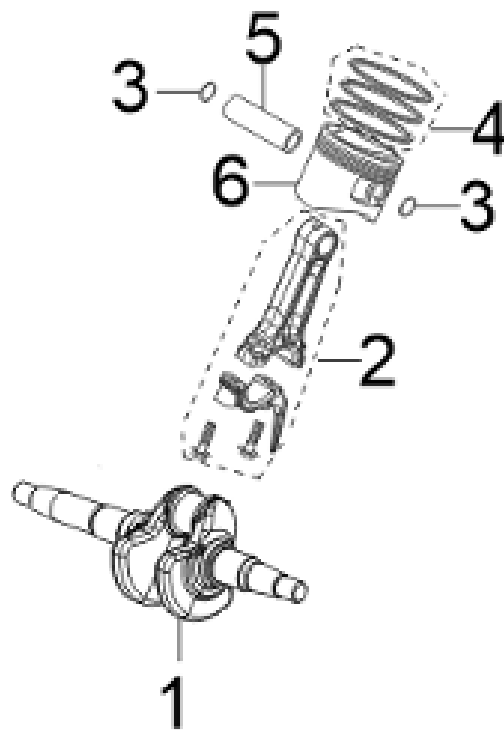
3,000 WATT INVERTER GENERATOR

FIG. 2 CYLINDER HEAD, CYLINDER COVER ASSEMBLY (E03)



REF. NO	DESCRIPTION	QTY	BE PART NUMBER
E03 - 1	HEAD SUBASSEMBLY, CYLINDER	1	
E03 - 2	COVER SUBASSEMBLY, CYLINDER HEAD	1	
E03 - 3	SCREW	4	
E03 - 4	PIECE, BREATH	1	
E03 - 5	GASKET, CYLINDER HEAD COVER	1	
E03 - 6	LIMIT PLATE	1	
E03 - 7	BOLT,CYLINDER HEAD	4	
E03 - 8	PLUG, SPARK	1	
E03 - 9	BOLT	2	
E03 - 10	BOLT	2	
E03 - 11	PIN	2	
E03 - 12	GASKET, CYLINDER HEAD	1	
E03 - 13	TUBE, BREATHER	1	
E03 - 14	BOLT	1	
E03 - 15	GASKET, BREATH GROOVE	1	
E03 - 16	BOLT	4	

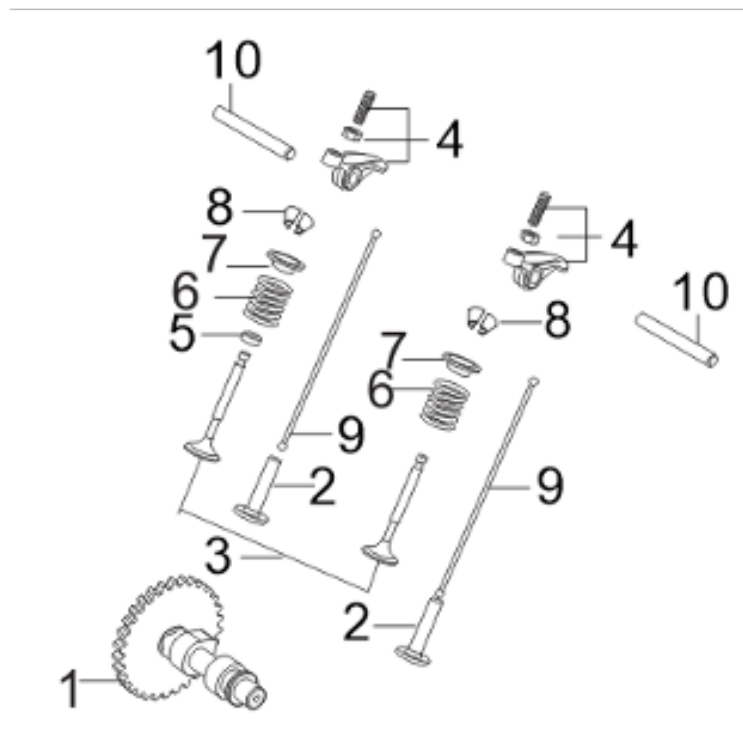
3,000 WATT INVERTER GENERATOR FIG. 3 CRANKSHAFT ASSEMBLY (E04)



REF. NO	DESCRIPTION	QTY	BE PART NUMBER
E04 - 1	CRANKSHAFT ASSY.	1	
E04 - 2	ROD, CONNECTING	1	
E04 - 3	CLIP, PISTON PIN	2	
E04 - 4	RING ASSY, PISTON	1	
E04 - 5	PIN, PISTON	1	
E04 - 6	PISTON	1	

3,000 WATT INVERTER GENERATOR

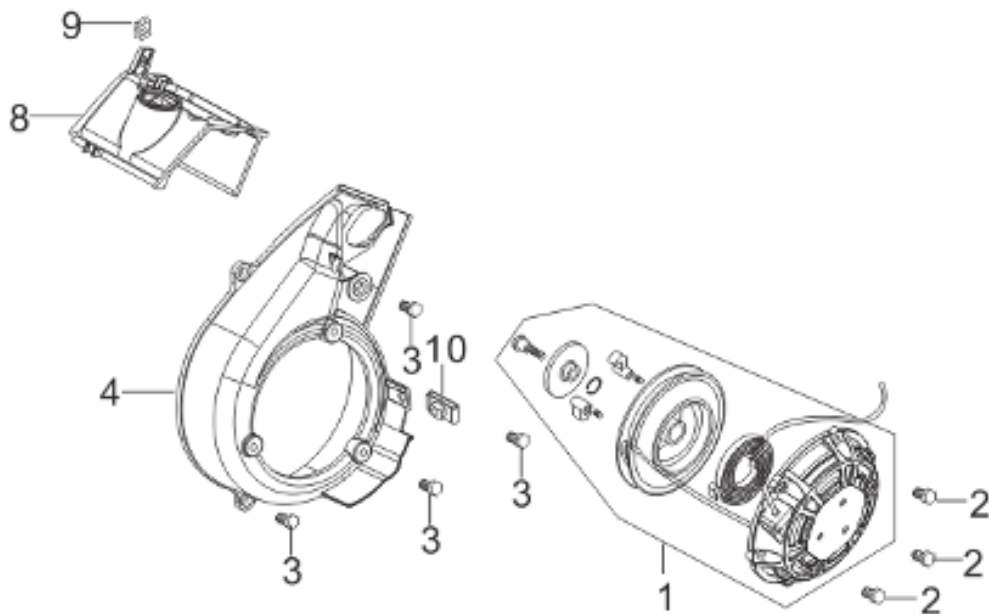
FIG. 4 CRANKSHAFT ASSEMBLY (E06)



REF. NO	DESCRIPTION	QTY	BE PART NUMBER
E06 - 1	CAMSHAFT ASSY.	1	
E06 - 2	TAPPET, VALVE	2	
E06 - 3	VALVES SET	2	
E06 - 4	ROCKER SUBASSEMBLY, VALVE	2	
E06 - 5	GUIDE, SEAL	1	
E06 - 6	SPRING, VALVE	2	
E06 - 7	SEAT, VALVE SPRING	2	
E06 - 8	CLAMP, VALVE LOCK	4	
E06 - 9	LIFTER, VALVE	2	
E06 - 10	SHAFT SUBASSEMBLY, ROCKER	2	

3,000 WATT INVERTER GENERATOR

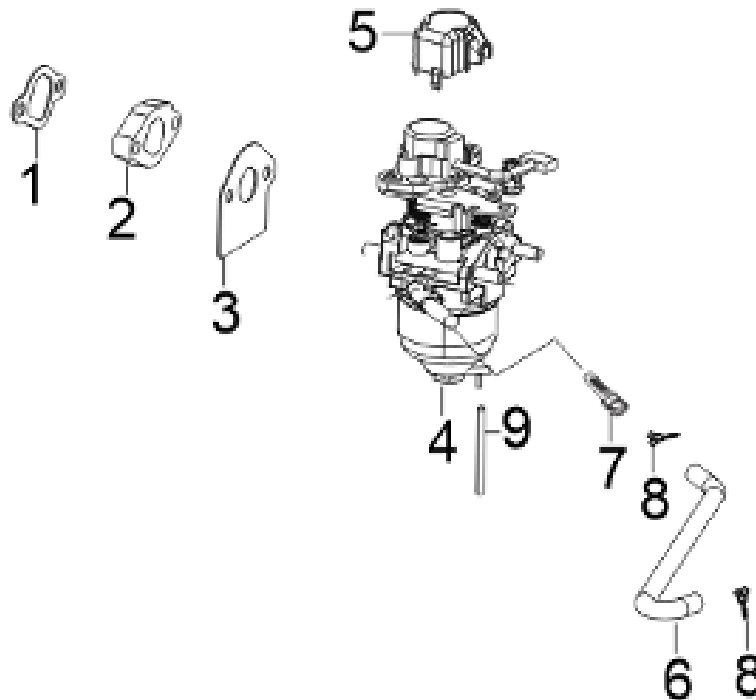
FIG. 5 STARTER (E07)



REF. NO	DESCRIPTION	QTY	BE PART NUMBER
E07 - 1	STARTER ASSY, RECOIL	1	85.571.558
E07 - 2	BOLT	3	
E07 - 3	BOLT	4	
E07 - 4	SHROUD	1	
E07 - 8	AIR DEFLECTOR,CYLINDER HEAD	1	
E07 - 9	LIMIT CARD	1	
E07 - 10	NUT	1	

3,000 WATT INVERTER GENERATOR

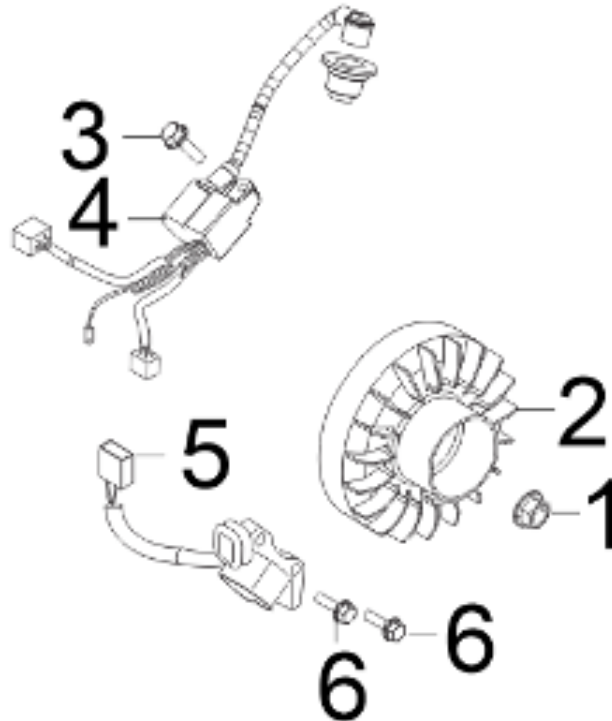
FIG. 6 CARBURETOR ASSEMBLY (E09)



REF. NO	DESCRIPTION	QTY	BE PART NUMBER
E09 - 1	GASKET, CARBURETOR	1	
E09 - 2	PLATE, CARBURETOR INSULATOR	1	
E09 - 3	GASKET, CARBURETOR INSULATOR	1	
E09 - 4	CARBURETOR ASSY.	1	
E09 - 5	CAP	1	85.571.631
E09 - 6	TUBE, FUEL	1	
E09 - 7	STRAINER, FUEL	1	
E09 - 8	CLAMP	2	
E09 - 9	TUBE, FUEL	1	

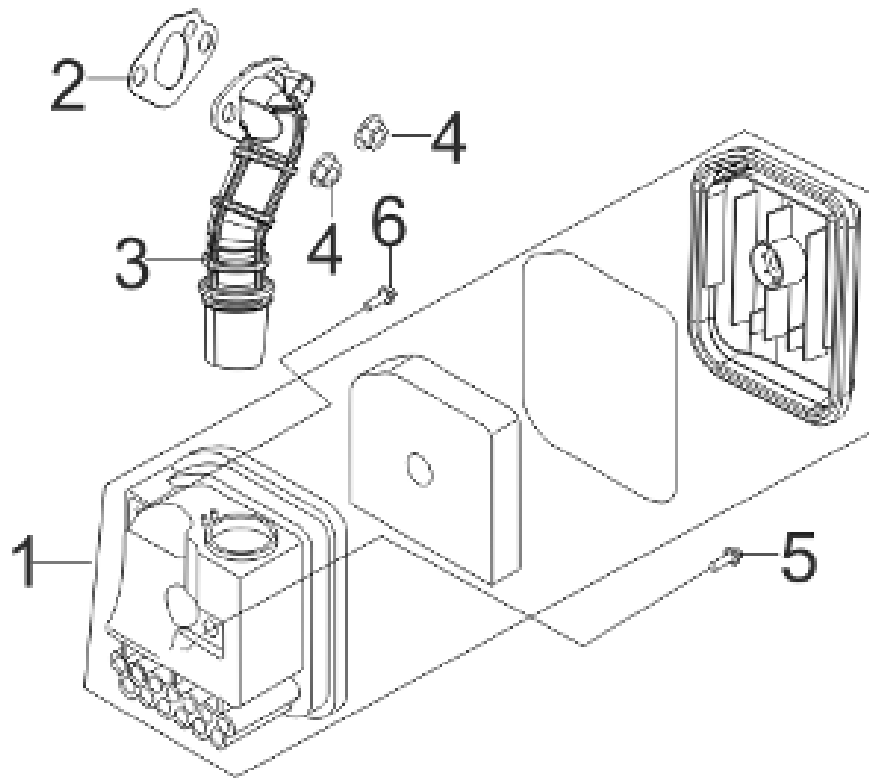
3,000 WATT INVERTER GENERATOR

FIG. 7 FLYWHEEL SUBASSEMBLY (E10)



REF. NO	DESCRIPTION	QTY	BE PART NUMBER
E10 - 1	NUT, FLYWHEEL	1	85.571.576
E10 - 2	FLYWHEEL SUBASSEMBLY	1	
E10 - 3	BOLT	1	
E10 - 4	IGNITOR	1	
E10 - 5	COIL, IGNITION	1	
E10 - 6	BOLT	2	

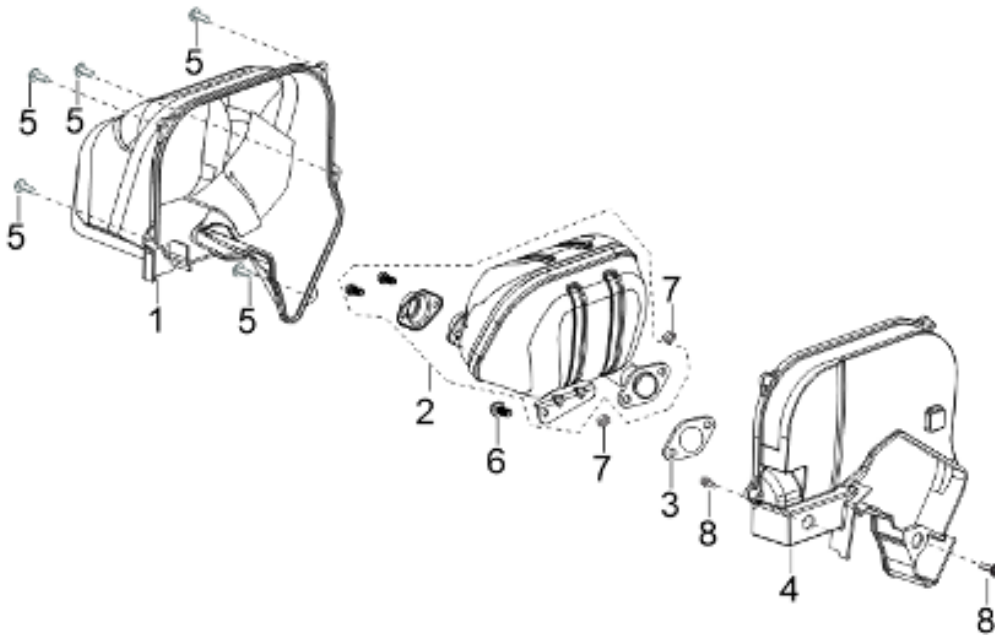
3,000 WATT INVERTER GENERATOR FIG. 8 AIR CLEANER (F01)



REF. NO	DESCRIPTION	QTY	BE PART NUMBER
F01 - 1	CLEANER, AIR	1	
F01 - 2	GASKET, AIR CLEANER	1	85.571.579
F01 - 3	DUCT, AIR CLEANER INTAKE	1	
F01 - 4	NUT	2	
F01 - 5	BOLT	1	
F01 - 6	BOLT	1	

3,000 WATT INVERTER GENERATOR

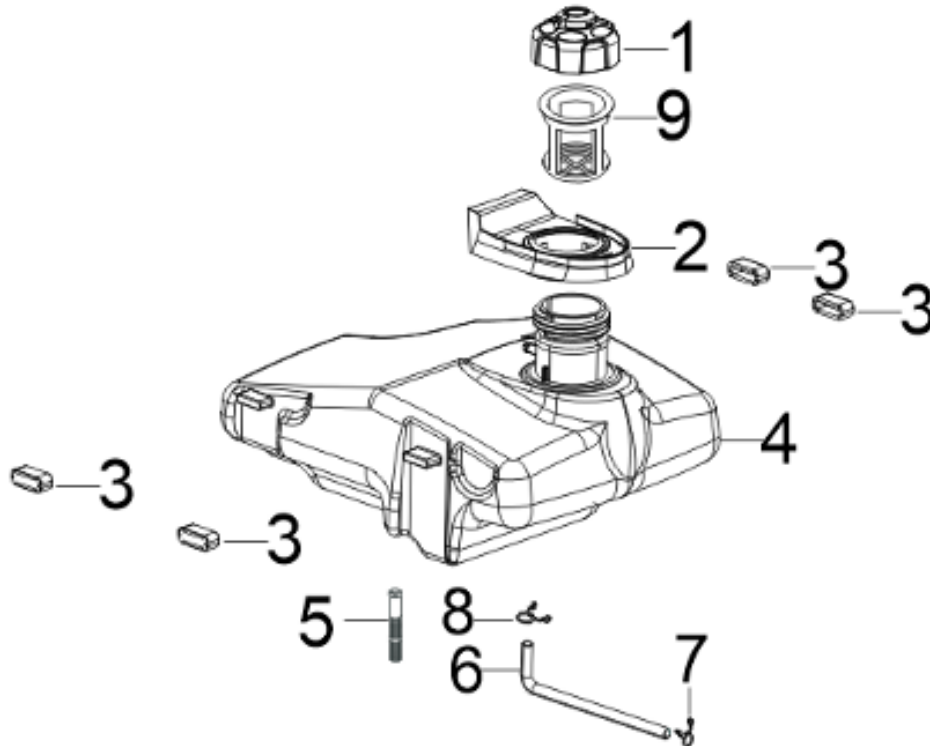
FIG. 9 MUFFLER ASSEMBLY (F02)



REF. NO	DESCRIPTION	QTY	BE PART NUMBER
F02 - 1	SHROUD, MUFFLER	1	
F02 - 2	MUFFLER ASSY.	1	
F02 - 3	GASKET, EXHAUST OUTLET	1	
F02 - 4	COVER, MUFFLER OUTER	1	
F02 - 5	SCREW	5	
F02 - 6	BOLT	1	
F02 - 7	I-TYPE HEX NUT	2	
F02 - 8	BOLT	2	

3,000 WATT INVERTER GENERATOR

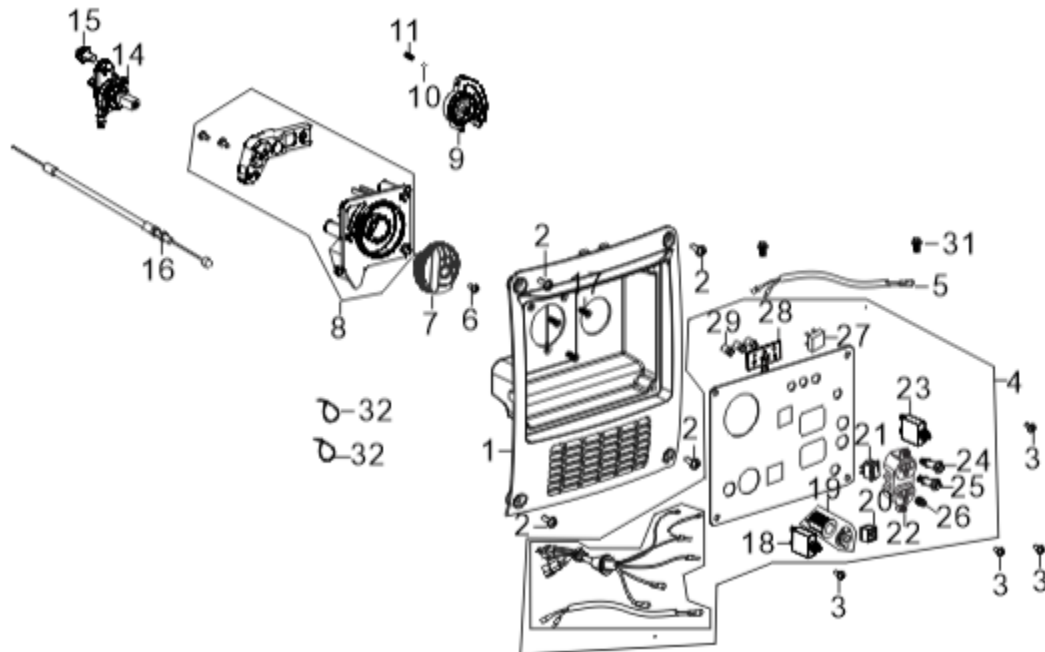
FIG. 10 TANK, FUEL (F03)



REF. NO	DESCRIPTION	QTY	BE PART NUMBER
F03 - 1	COVER, FUEL TANK	1	
F03 - 2	SLEEVE, FILLING OIL HOLE RUBBER	1	
F03 - 3	BUSH	4	85.571.516
F03 - 4	TANK, FUEL	1	
F03 - 5	ELEMENT, STRAINER	1	85.571.517
F03 - 6	TUBE, FUEL	1	
F03 - 7	CLAMP	1	
F03 - 8	CLAMP	1	
F03 - 9	STRAINER, FUEL	1	

3,000 WATT INVERTER GENERATOR

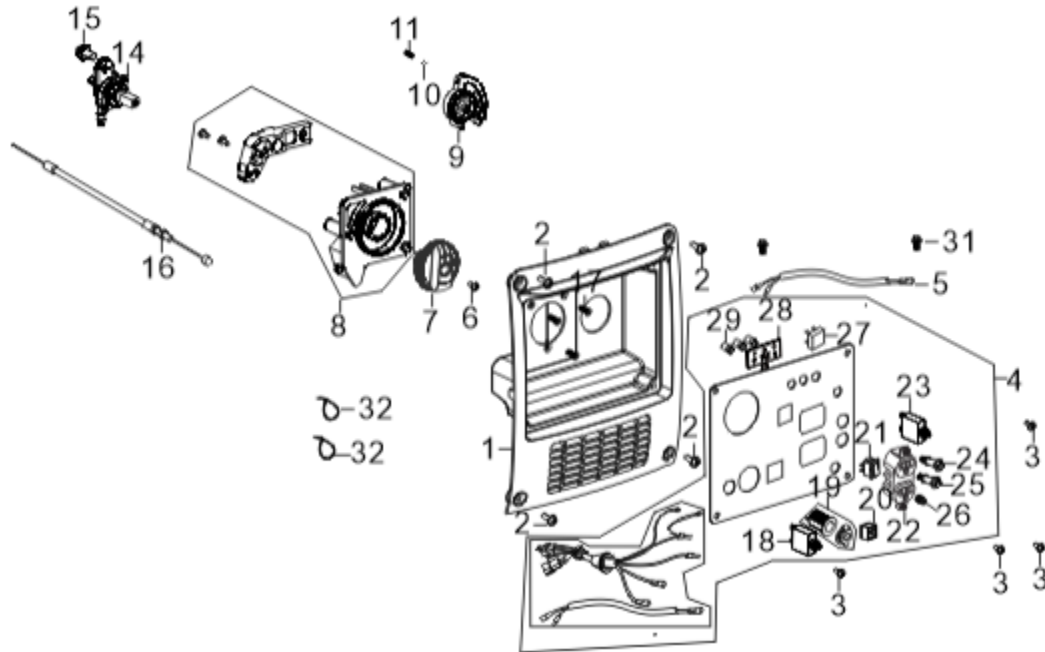
FIG. 11 PANEL SUBASSEMBLY, CONTROL (F05)



REF. NO	DESCRIPTION	QTY	BE PART NUMBER
F05 - 1	SEAT, PANEL	1	
F05 - 2	BOLT	4	
F05 - 3	SCREW & WASHER	4	
F05 - 4	PANEL SUBASSEMBLY, CONTROL	1	
F05 - 5	HARNESS, CONTROL PANEL WIRING	1	
F05 - 6	SCREW	1	
F05 - 7	KNOB	1	85.571.644
F05 - 8	SWITCH SUBASSEMBLY	1	
F05 - 9	SWITCH SUBASSEMBLY	1	
F05 - 10	BALL, STEEL	1	
F05 - 11	SPRING, STOPPER ADJUSTING	1	
F05 - 14	COCK ASSY, FUEL	1	85.571.646
F05 - 15	BOLT	1	
F05 - 16	HANDLE SUBASSEMBLY, CHOKE	1	

3,000 WATT INVERTER GENERATOR

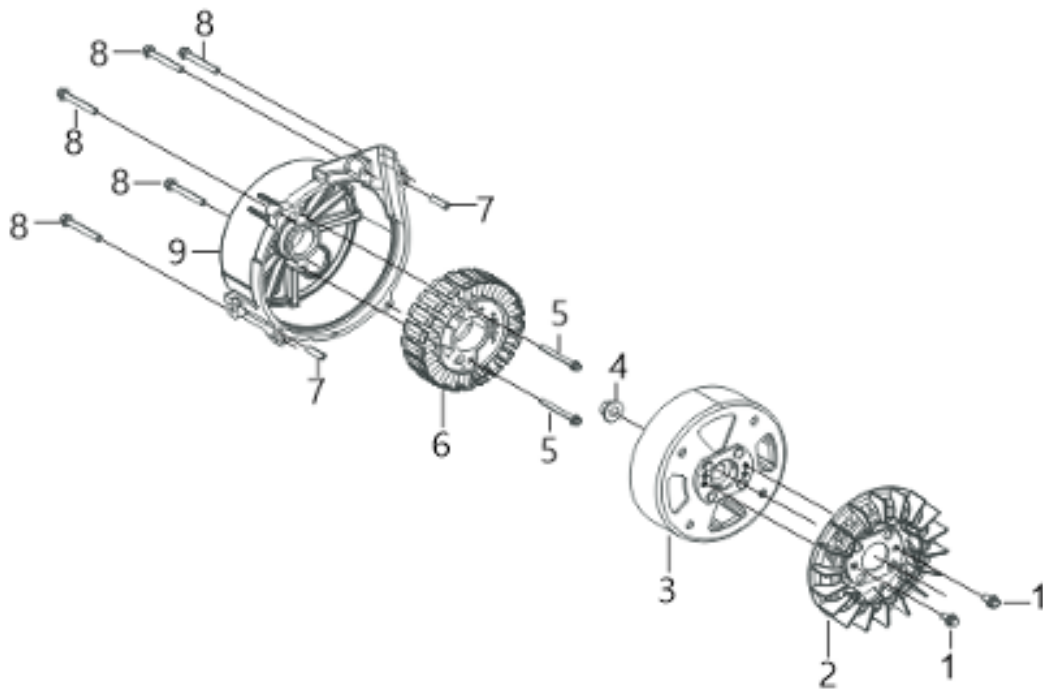
FIG. 11 PANEL SUBASSEMBLY, CONTROL (F05)



REF. NO	DESCRIPTION	QTY	BE PART NUMBER
F05 - 17	SCREW	3	
F05 - 18	PROTECTOR, OVERCURRENT	1	85.571.506
F05 - 19	SOCKET SUBASSEMBLY, D.C	1	85.571.844
F05 - 20	SOCKET SUBASSEMBLY, D.C	1	
F05 - 21	SWITCH SUBASSEMBLY	1	85.571.585
F05 - 22	SOCKET SUBASSEMBLY, POWER SUPPLY	1	85.571.505
F05 - 23	PROTECTOR, OVERCURRENT	1	
F05 - 24	SOCKET SUBASSEMBLY, POWER SUPPLY	1	85.571.589
F05 - 25	SOCKET SUBASSEMBLY, POWER SUPPLY	1	85.571.590
F05 - 26	TERMINAL SUBASSEMBLY, GROUNDING	1	85.571.654
F05 - 27	BRIDGE, RECTIFICATION	1	85.571.049
F05 - 28	INDICATOR ASSY	1	
F05 - 29	INDICATOR SEAT	3	
F05 - 32	BAND	2	

3,000 WATT INVERTER GENERATOR

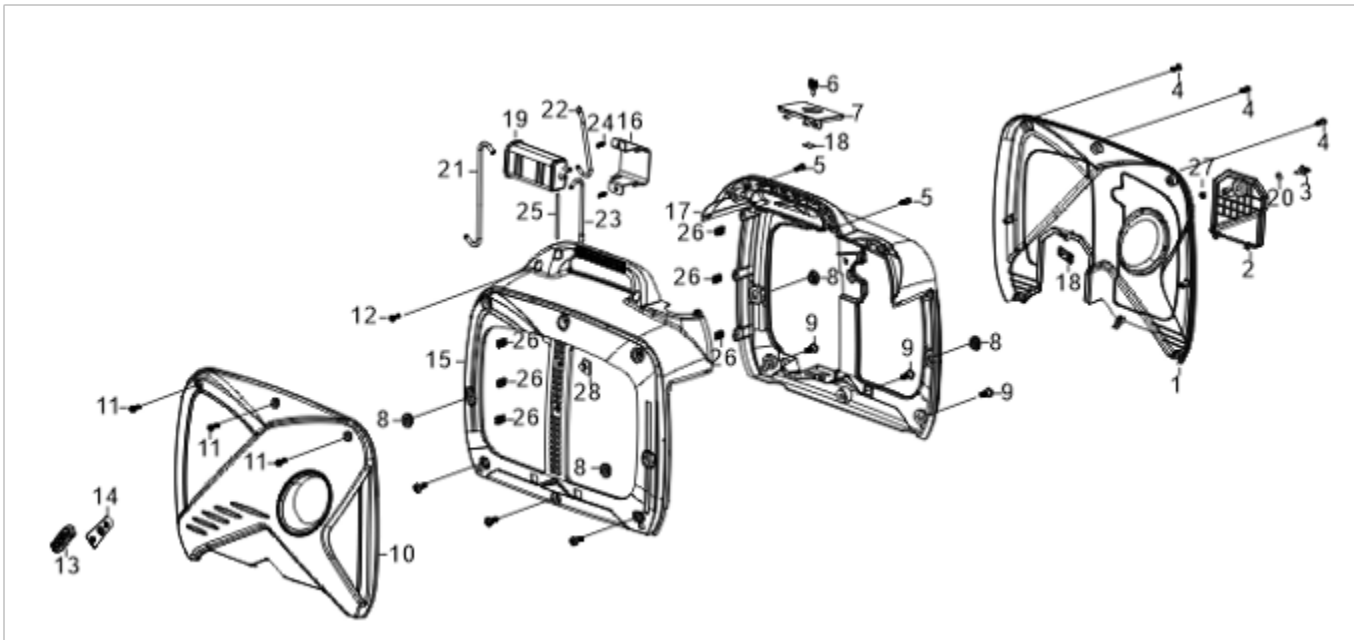
FIG. 12 ROTOR / STATOR (F06)



REF. NO	DESCRIPTION	QTY	BE PART NUMBER
F06 - 1	BOLT	2	
F06 - 2	IMPELLER	1	
F06 - 3	CASE SUBASSEMBLY, MAGNETO ROTOR	1	
F06 - 4	NUT	1	
F06 - 5	BOLT	2	
F06 - 6	STATOR SUBASSEMBLY, MAGNETO	1	
F06 - 7	PIN	2	
F06 - 8	BOLT	5	
F06 - 9	SHROUD, MOTOR	1	

3,000 WATT INVERTER GENERATOR

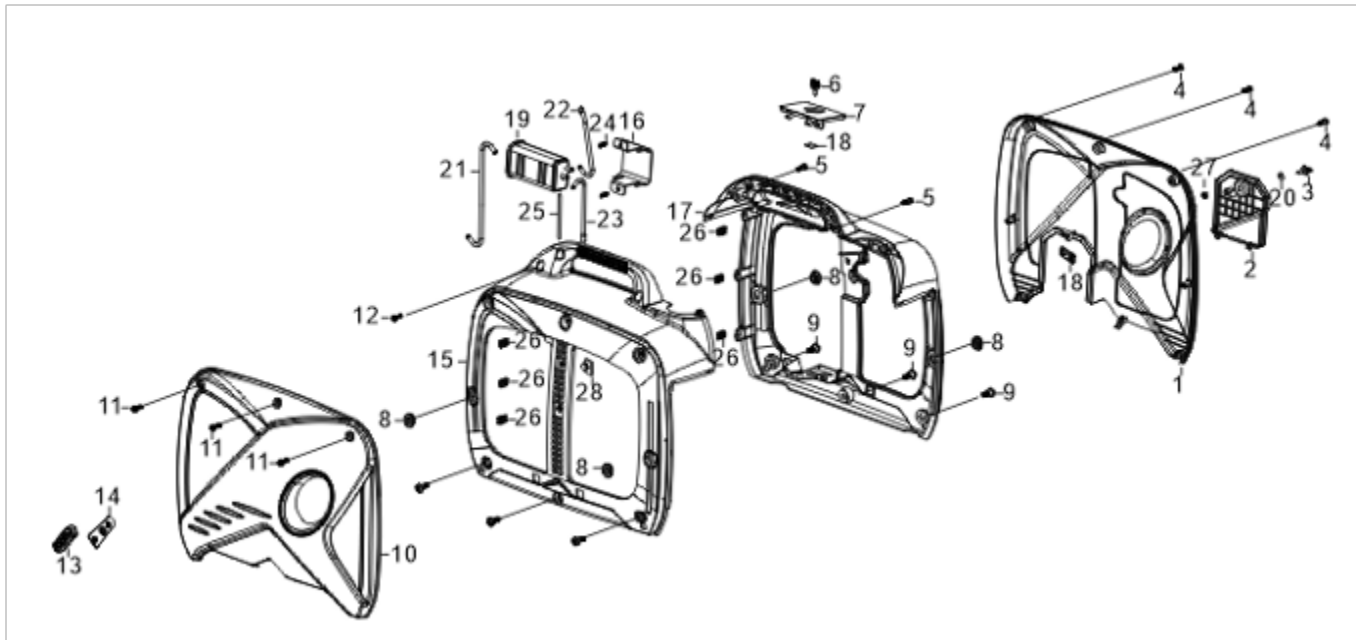
FIG. 13 SHELL (F31)



REF. NO	DESCRIPTION	QTY	BE PART NUMBER
F31 - 1	COVER BOARD, RIGHT	1	
F31 - 2	REPAIR DOOR,LEFT	1	
F31 - 3	BOLT	1	
F31 - 4	BOLT	3	
F31 - 5	SCREW&FLAT WASHER	2	
F31 - 6	KNOB, SPARK PLUG REPAIR DOOR	1	85.571.762
F31 - 7	REPAIR DOOR,SPARK PLUG	1	
F31 - 8	SLEEVE, FUEL TANK RUBBER	4	
F31 - 9	BOLT	6	
F31 - 10	COVER BOARD, LEFT	1	
F31 - 11	BOLT	3	
F31 - 12	SCREW, CROSS GROOVE PAN	1	
F31 - 13	HANDLE, RECOIL STRATER CABLE	1	
F31 - 14	GUIDE SUBASSEMBLY, STARTING ROPE	1	

3,000 WATT INVERTER GENERATOR

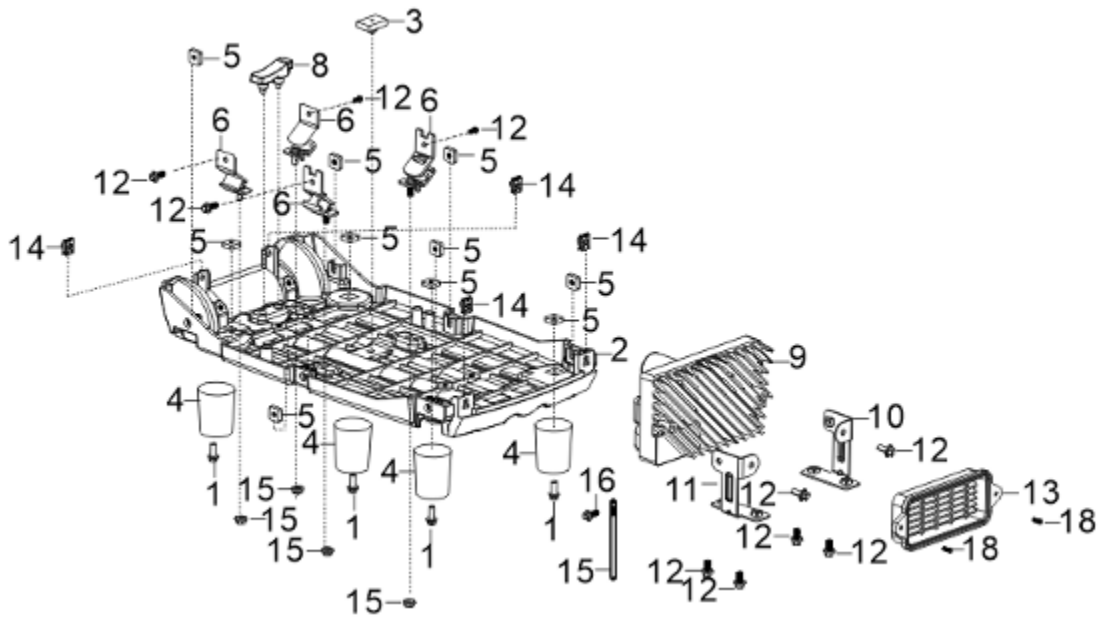
FIG. 13 SHELL (F31)



REF. NO	DESCRIPTION	QTY	BE PART NUMBER
F31 - 15	SHELL, LEFT	1	
F31 - 16	BRACKET	1	
F31 - 17	SHELL, RIGHT	1	
F31 - 18	LEVER	2	
F31 - 19	COLLECTOR, FUEL STEAM	1	
F31 - 20	CLIP, SPRING	1	85.571.763
F31 - 21	HOSE, FUEL STEAM RUBBER	1	
F31 - 22	HOSE, AIR CLEANER RUBBER	1	
F31 - 23	HOSE, FUEL STEAM RUBBER	1	
F31 - 24	BOLT	2	
F31 - 25	JACKET, RUBBER	1	
F31 - 26	NUT	6	
F31 - 27	NUT	1	
F31 - 28	CUSHION, ENGINE UPPER SUSPENSION RUBBER	1	

3,000 WATT INVERTER GENERATOR

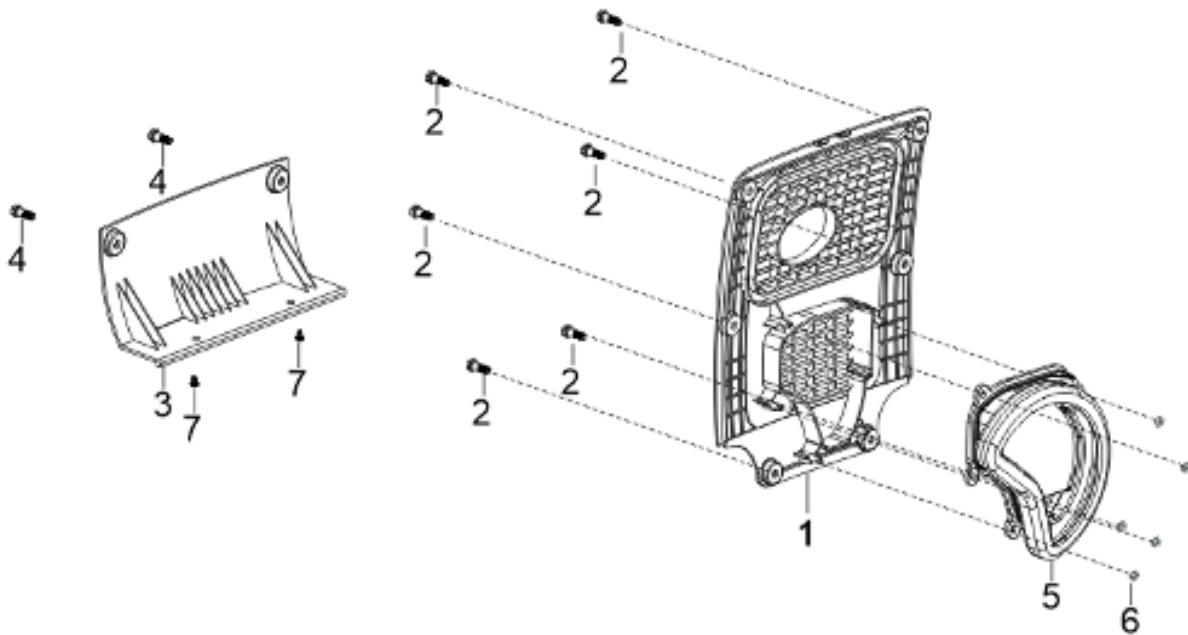
FIG. 14 PLATE, BOTTOM / ASSEMBLING FRAME, INVERTER (F32)



REF. NO	DESCRIPTION	QTY	BE PART NUMBER
F32 - 1	BOLT	4	
F32 - 2	PLATE, BOTTOM	1	
F32 - 3	CUSHION, ENGINE UPPER SUSPENSION RUBBER	1	
F32 - 4	SEAT, ENGINE FRAME SHOCK ABSORPTION	4	
F32 - 5	NUT,SQUARE	10	
F32 - 6	CUSHION, ENGINE FRAME	4	
F32 - 8	BRACKET, CUSHION RUBBER	1	
F32 - 9	INVERTOR	1	
F32 - 10	ASSEMBLING FRAME, INVERTER	1	
F32 - 11	ASSEMBLING FRAME, INVERTER	1	
F32 - 12	BOLT	10	
F32 - 13	AIR PLATE	1	
F32 - 14	NUT	4	
F32 - 15	CLIP	1	
F32 - 16	BOLT	1	
F32 - 18	SCREW, CROSS GROOVE PAN	2	

3,000 WATT INVERTER GENERATOR

FIG. 15 COVER, MUFFLER SIDE (F33)



REF. NO	DESCRIPTION	QTY	BE PART NUMBER
F33 - 1	COVER, MUFFLER SIDE	1	
F33 - 2	BOLT	6	
F33 - 3	DECO PLATE	1	
F33 - 4	BOLT	2	
F33 - 5	CUSHION, JOINT RUBBER	1	
F33 - 6	CLIP, SPRING	5	85.571.763
F33 - 7	BOLT	2	