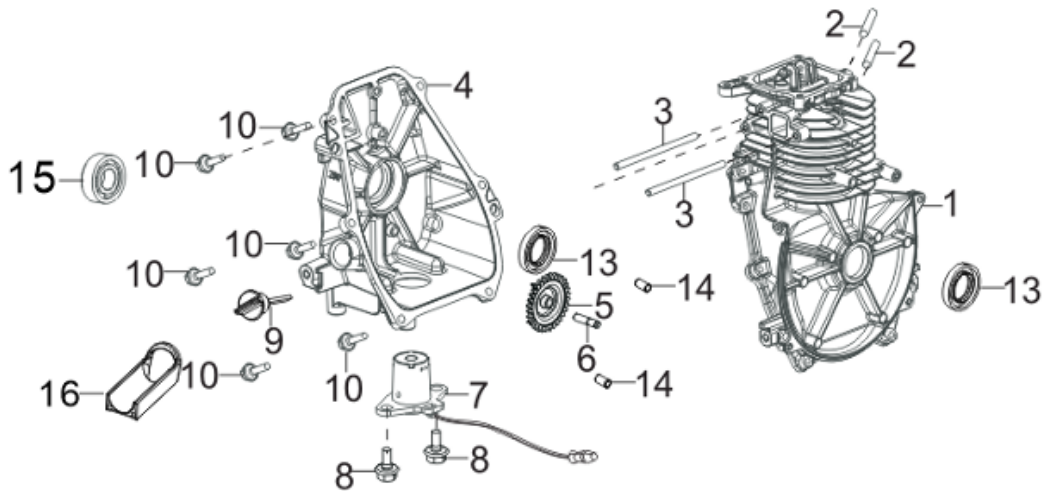


### 2,100 WATT INVERTER GENERATOR

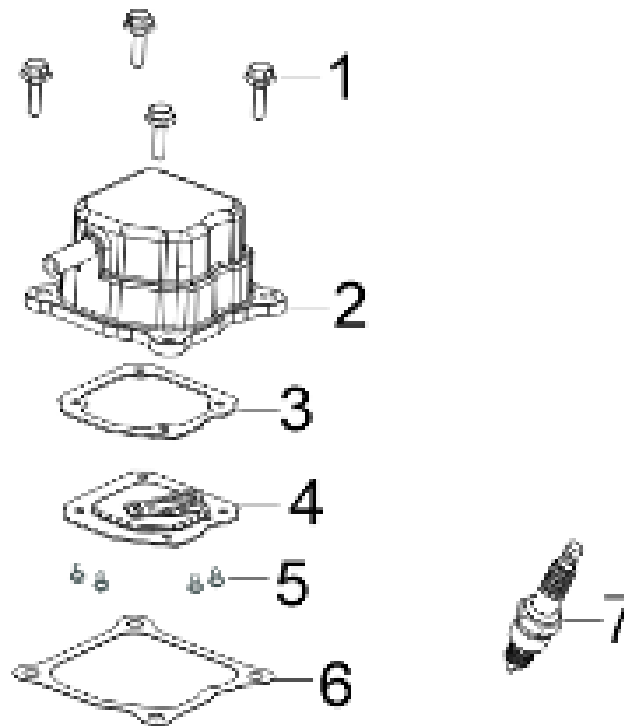
FIG. 1 CRANKCASE / COVER SUBASSEMBLY, CRANKCASE (E01)



REF. NO	DESCRIPTION	QTY	BE PART NUMBER
E01 - 1	CRANKCASE SUBASSEMBLY	1	
E01 - 2	BOLT	2	
E01 - 3	BOLT	2	
E01 - 4	COVER, CRANKCASE	1	
E01 - 5	OIL STIRRING GEAR	1	
E01 - 6	OIL STIRRING GEAR MANDREL	1	
E01 - 7	SENSOR, ENGINE OIL	1	85.571.620
E01 - 8	BOLT	2	
E01 - 9	DIPSTICK SUBASSEMBLY, OIL	1	
E01 - 10	BOLT	6	
E01 - 13	SEAL, OIL	2	85.571.561
E01 - 14	PIN	2	
E01 - 15	BEARIN, DEEP GROOVE BALL	1	
E01 - 16	JACKET, RUBBER	1	

### 2,100 WATT INVERTER GENERATOR

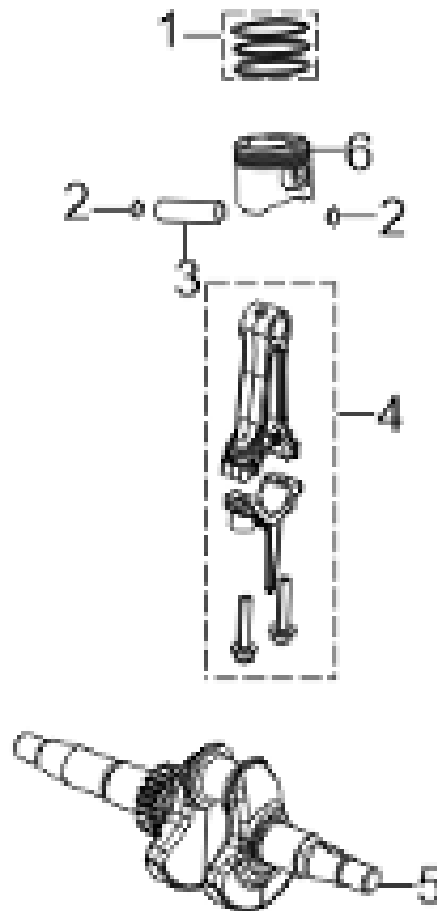
FIG. 2 HEAD SUBASSEMBLY, CYLINDER / PLUG, SPARK (E03)



REF. NO	DESCRIPTION	QTY	BE PART NUMBER
E03 - 1	BOLT	4	
E03 - 2	COVER SUBASSEMBLY, CYLINDER HEAD	1	
E03 - 3	GASKET, BREATH GROOVE	1	
E03 - 4	PIECE, BREATH	1	
E03 - 5	SCREW	4	
E03 - 6	GASKET, CYLINDER HEAD COVER	1	85.571.623
E03 - 7	PLUG, SPARK	1	

### 2,100 WATT INVERTER GENERATOR

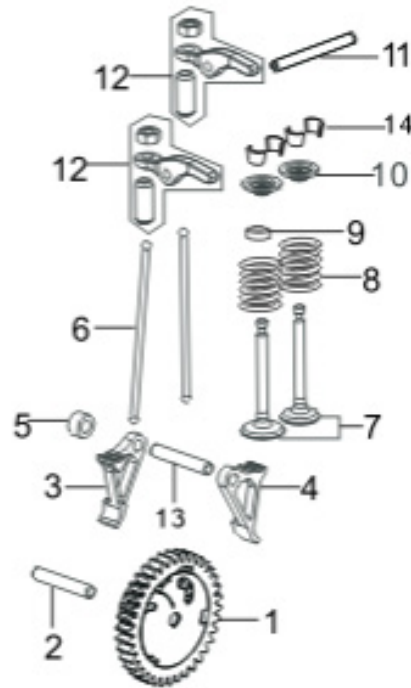
FIG. 3 RING SET, OIL / ROD, CRANKSHAFT CONNECTING (E05)



REF. NO	DESCRIPTION	QTY	BE PART NUMBER
E05 - 1	RING ASSY, PISTON	1	
E05 - 2	CLIP, PISTON PIN	2	
E05 - 3	PIN, PISTON	1	
E05 - 4	ROD, CONNECTING	1	
E05 - 5	CRANKSHAFT ASSY.	1	
E05 - 6	PISTON	1	

### 2,100 WATT INVERTER GENERATOR

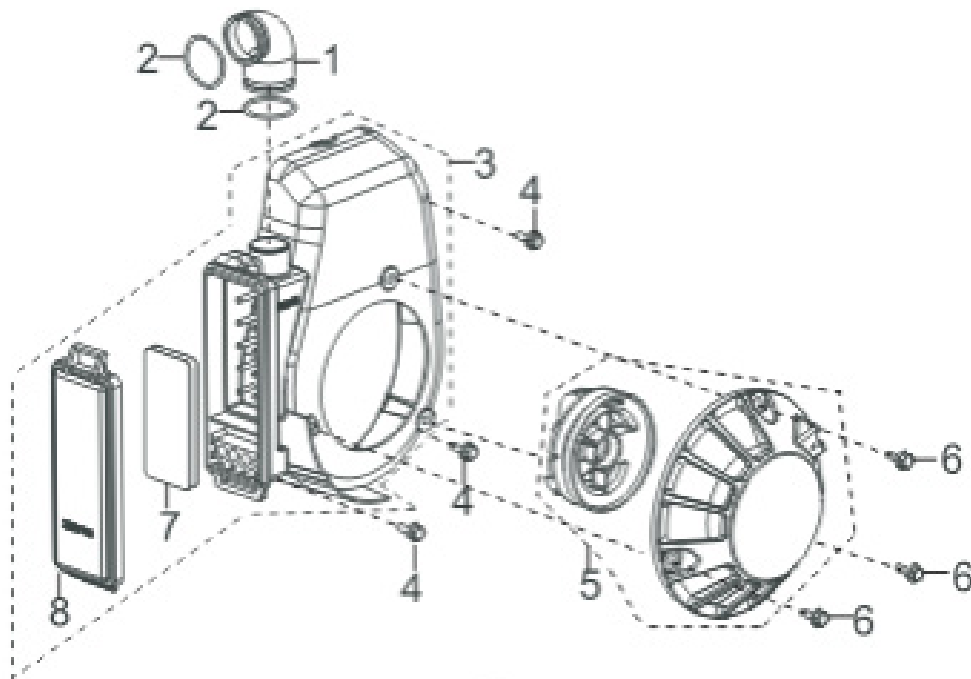
FIG. 4 TRAIN, VALVE / CAMSHAFT SUBASSEMBLY (E06)



REF. NO	DESCRIPTION	QTY	BE PART NUMBER
E06 - 1	CAMSHAFT ASSY.	1	
E06 - 2	SPINDLE, CAMSHAFT	1	
E06 - 3	ROCKER, LOWER	1	
E06 - 4	ROCKER, LOWER	1	
E06 - 5	BUSH	1	
E06 - 6	LIFTER SUBASSEMBLY, VALVE	2	
E06 - 7	VALVES SET	1	
E06 - 8	SPRING, VALVE	2	
E06 - 9	GUIDE, SEAL	1	
E06 - 10	SEAT, VALVE SPRING	2	
E06 - 11	SHAFT, VALVE ROCKER	1	
E06 - 12	ROCKER SUBASSEMBLY, VALVE	2	
E06 - 13	SPINDLE, CAMSHAFT	1	
E06 - 14	CLAMP, VALVE LOCK	4	

### 2,100 WATT INVERTER GENERATOR

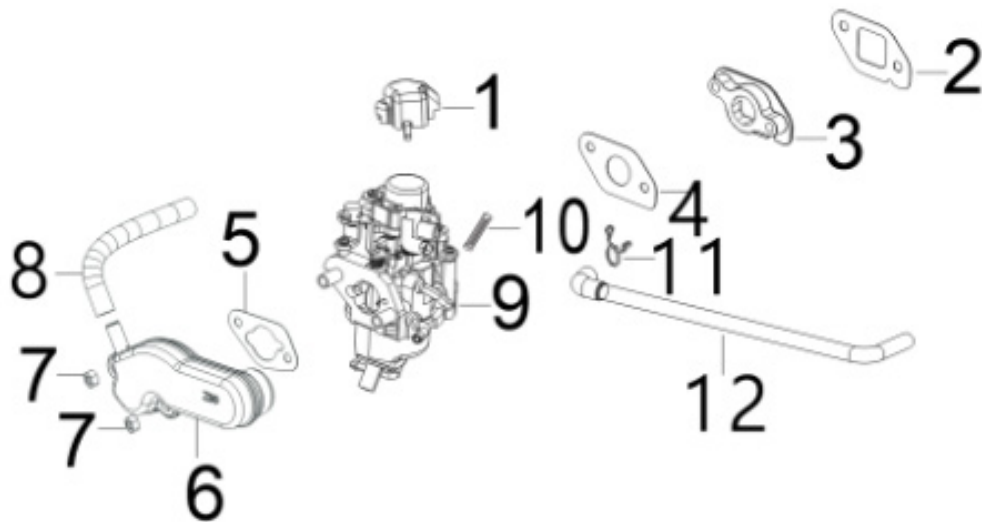
FIG. 5 STARTER, RECOIL (E07)



REF. NO	DESCRIPTION	QTY	BE PART NUMBER
E07 - 1	TUBE, INTAKE	1	
E07 - 2	COLLAR	2	
E07 - 3	SHROUD	1	
E07 - 4	BOLT	3	
E07 - 5	STARTER ASSY, RECOIL	1	85.571.540
E07 - 6	BOLT	3	
E07 - 7	ELEMENT, AIR CLEANER	1	
E07 - 8	COVER, AIR CLEANER CASE	1	

### 2,100 WATT INVERTER GENERATOR

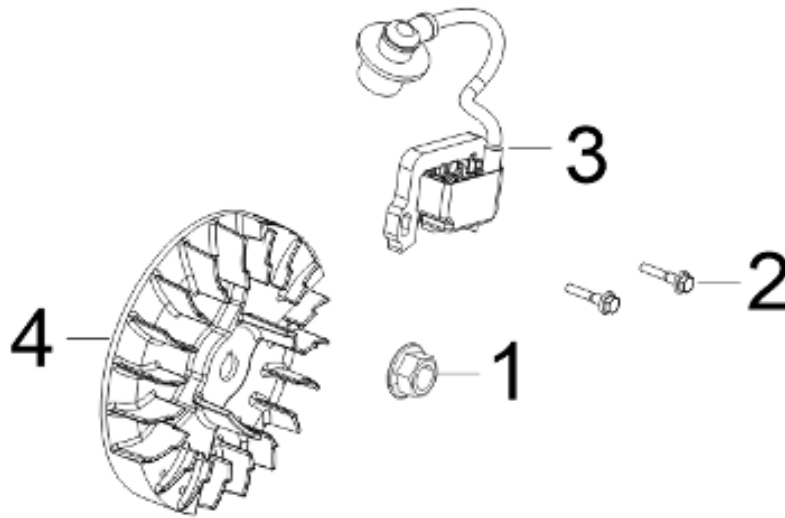
FIG. 6 CARBURETOR (E09)



REF. NO	DESCRIPTION	QTY	BE PART NUMBER
E09 - 1	CAP	1	85.571.631
E09 - 2	GASKET, CARBURETOR INSULATOR	1	
E09 - 3	PLATE, CARBURETOR INSULATOR	1	
E09 - 4	GASKET, CARBURETOR	1	
E09 - 5	GASKET, AIR CLEANER	1	
E09 - 6	DUCT, AIR CLEANER INTAKE	1	
E09 - 7	NUT	2	
E09 - 8	TUBE, BREATHER	1	
E09 - 9	CARBURETOR ASSEMBLY	1	
E09 - 10	STRAINER, FUEL	1	
E09 - 11	CLAMP	1	
E09 - 12	TUBE, FUEL	1	

### 2,100 WATT INVERTER GENERATOR

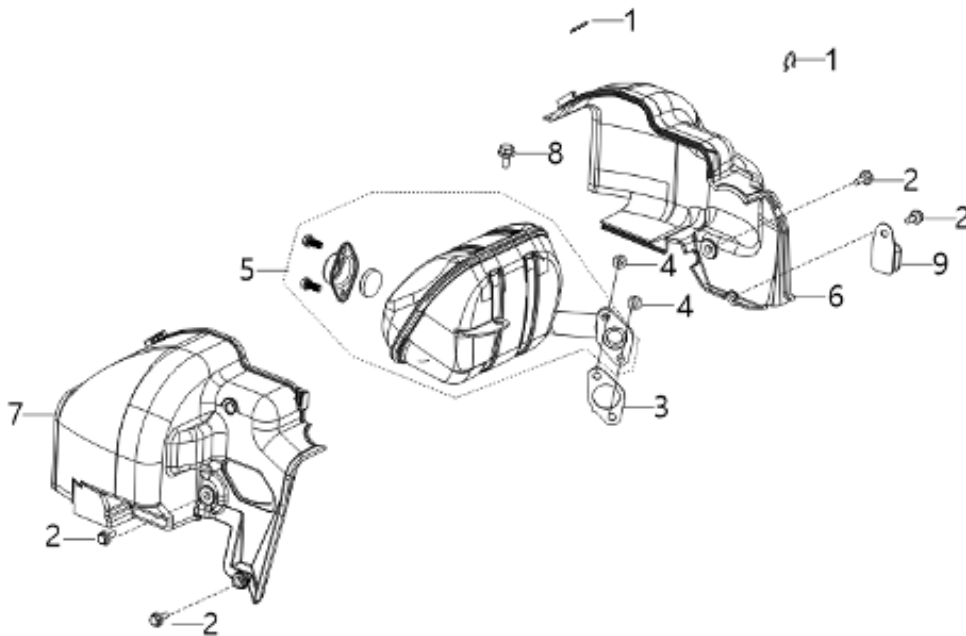
FIG. 7 FLYWHEEL / IMPELLER / STARTER PULLEY / IGNITION COIL (E10)



REF. NO	DESCRIPTION	QTY	BE PART NUMBER
E10 - 1	NUT	1	
E10 - 2	BOLT	2	
E10 - 3	COIL, IGNITION	1	
E10 - 4	FLYWHEEL SUBASSEMBLY	1	

### 2,100 WATT INVERTER GENERATOR

FIG. 9 MUFFLER ASSEMBLY (F02)

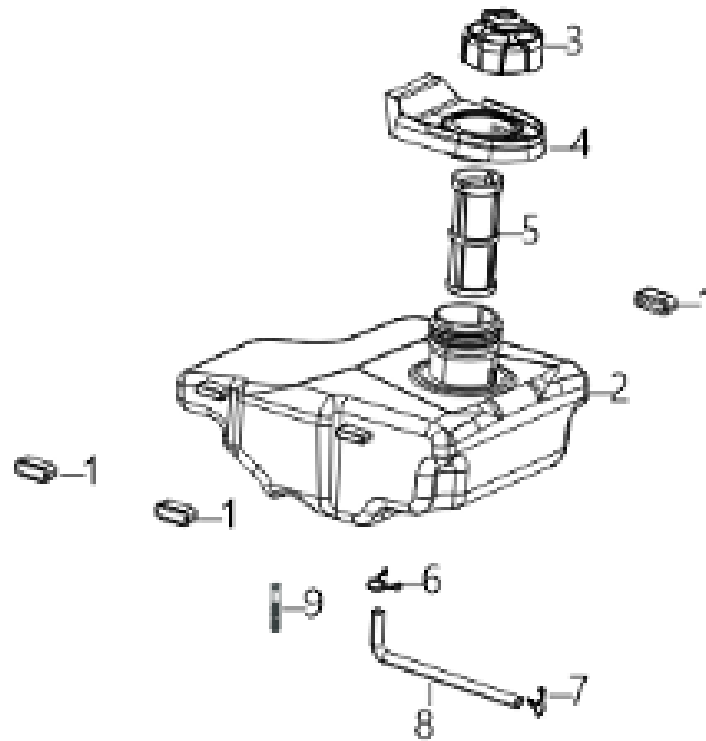


REF. NO	DESCRIPTION	QTY	BE PART NUMBER
F02 - 1		2	
F02 - 2	BOLT	4	
F02 - 3	GASKET, EXHAUST OUTLET	1	
F02 - 4	NUT	2	
F02 - 5	MUFFLER ASSY.	1	
F02 - 6	SHROUD, MUFFLER	1	
F02 - 7	SHROUD, MUFFLER	1	
F02 - 8	BOLT	1	
F02 - 9	PROTECTOR, OIL	1	85.571.660



### 2,100 WATT INVERTER GENERATOR

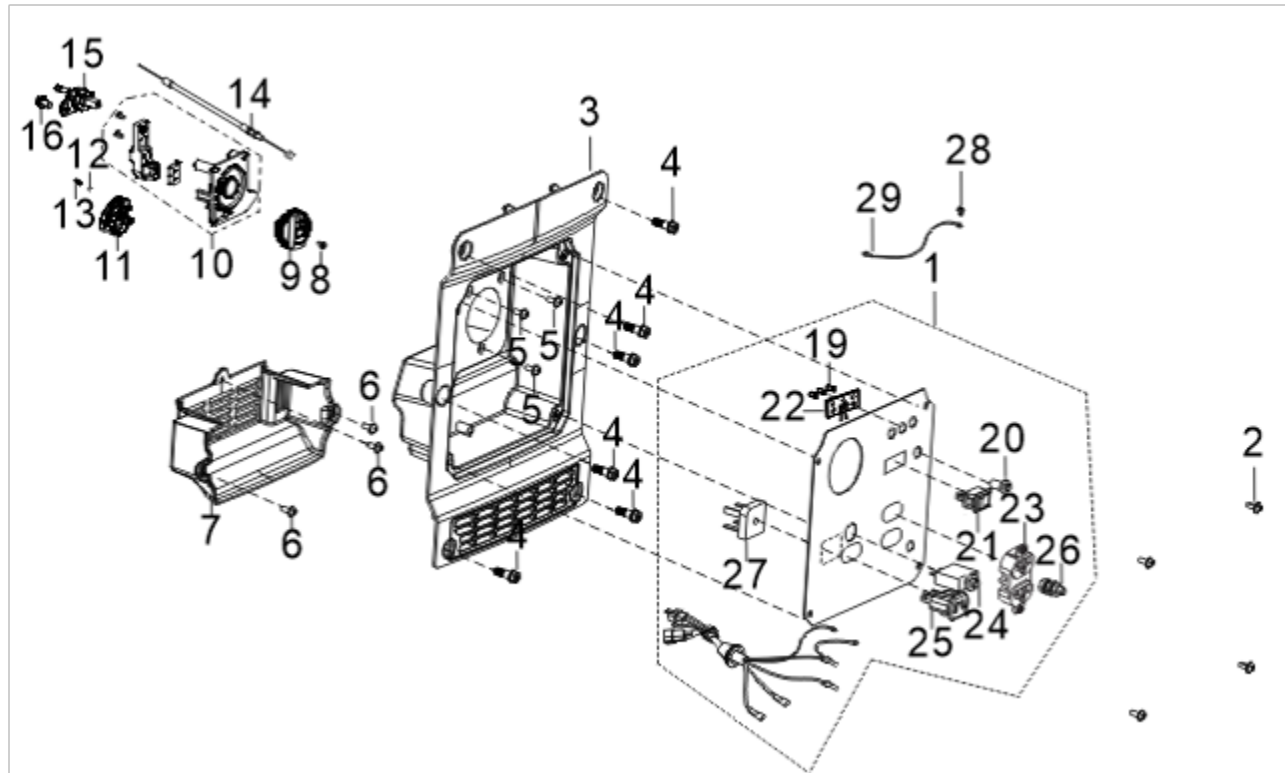
FIG. 10 TANK ASSEMBLY, FUEL (F03)



REF. NO	DESCRIPTION	QTY	BE PART NUMBER
F03 - 1	BUSH	3	85.571.516
F03 - 2	TANK, FUEL	1	
F03 - 3	COVER, FUEL TANK	1	
F03 - 4	SLEEVE, FILLING OIL HOLE RUBBER	1	
F03 - 5	STRAINER, FUEL	1	85.571.582
F03 - 6	CLAMP	1	
F03 - 7	CLAMP	1	
F03 - 8	TUBE, FUEL	1	
F03 - 9	ELEMENT, STRAINER	1	85.571.517

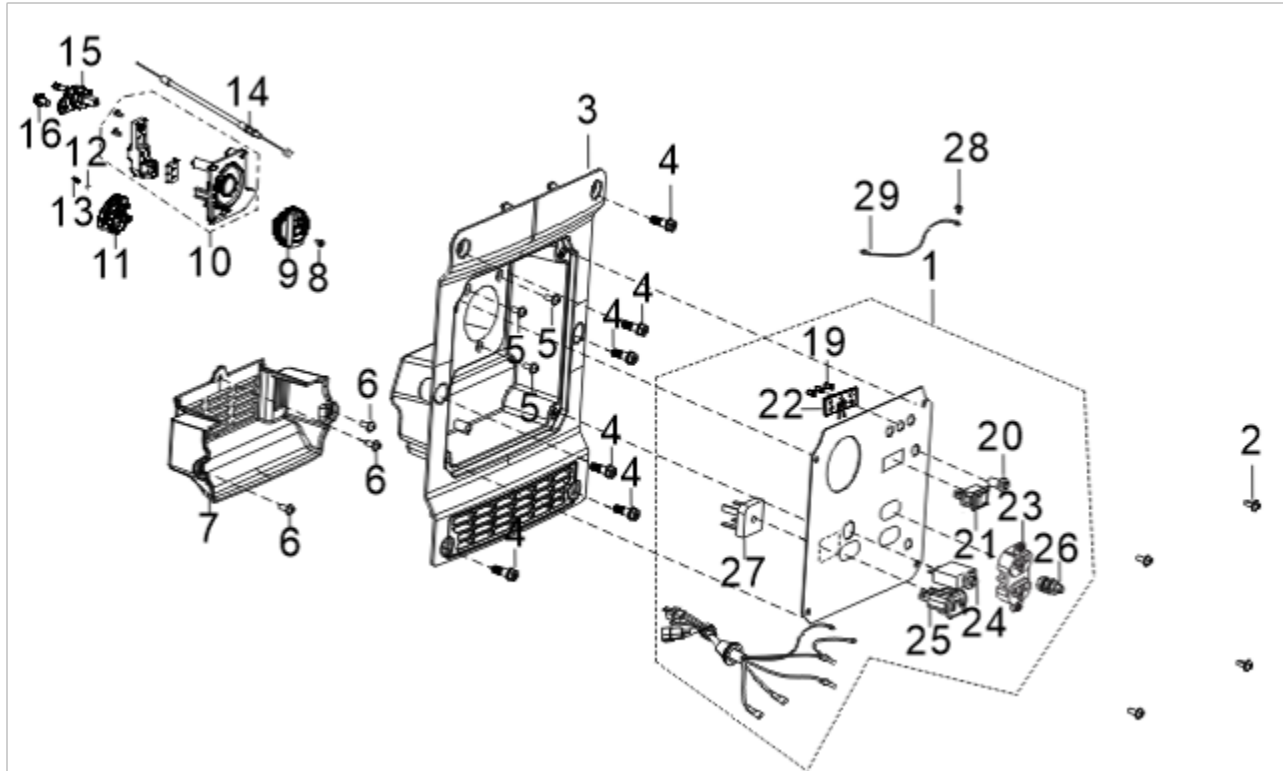
### 2,100 WATT INVERTER GENERATOR

FIG. 11 PANEL, CONTROL, ASSEMBLY (F05)



REF. NO	DESCRIPTION	QTY	BE PART NUMBER
F05 - 1	PANEL SUBASSEMBLY, CONTROL	1	
F05 - 2	BOLT	4	
F05 - 3	SEAT, PANEL	1	
F05 - 4	BOLT	6	
F05 - 5	SCREW	3	
F05 - 6	SCREW, CROSS GROOVE PAN	3	
F05 - 7		1	
F05 - 8	SCREW	1	
F05 - 9	KNOB	1	85.571.644
F05 - 10	SWITCH SUBASSEMBLY	1	
F05 - 11	SWITCH SUBASSEMBLY	1	
F05 - 12	BALL, STEEL	1	
F05 - 13	SPRING, STOPPER ADJUSTING	1	
F05 - 14	HANDLE SUBASSEMBLY, CHOKE	1	

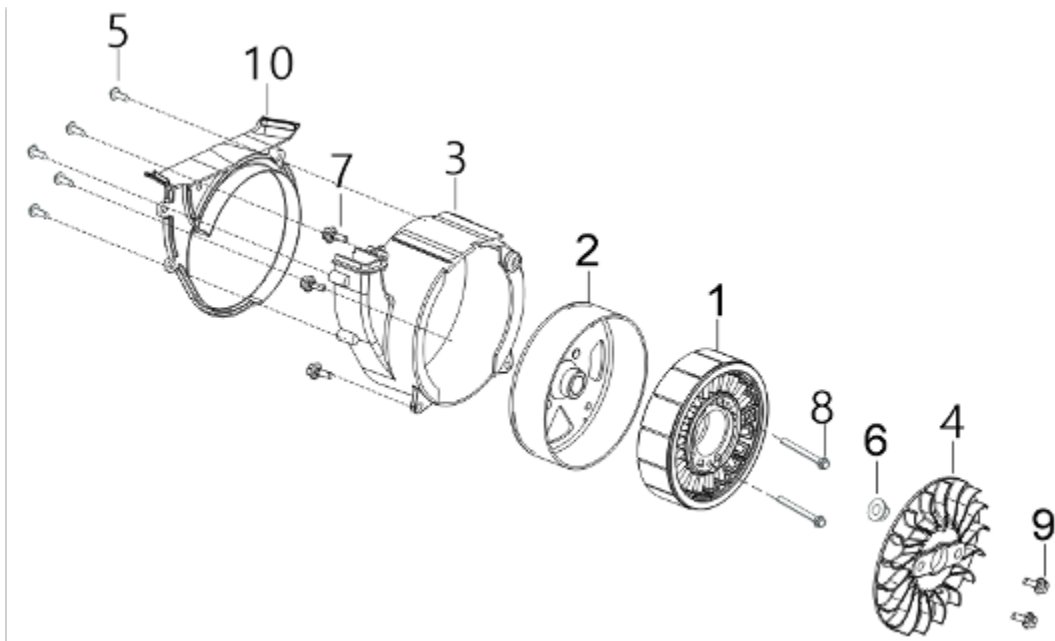
### 2,100 WATT INVERTER GENERATOR FIG. 11 PANEL, CONTROL, ASSEMBLY (F05)



REF. NO	DESCRIPTION	QTY	BE PART NUMBER
F05 - 15	COCK ASSY, FUEL	1	85.571.646
F05 - 16	BOLT	1	
F05 - 19	INDICATOR SEAT	3	
F05 - 20	BUTTON, RESETTING	1	85.571.586
F05 - 21	SWITCH SUBASSEMBLY	1	85.571.585
F05 - 22	INDICATOR ASSY	1	
F05 - 23	SOCKET SUBASSEMBLY, POWER SUPPLY	1	85.571.505
F05 - 24	PROTECTOR, OVERCURRENT	1	85.571.506
F05 - 25	SOCKET SUBASSEMBLY, D.C	1	85.571.652
F05 - 26	TERMINAL SUBASSEMBLY, GROUNDING	1	85.571.654
F05 - 27	BRIDGE, RECTIFICATION	1	85.571.049
F05 - 28	BOLT	1	
F05 - 29	GROUNDING	1	

### 2,100 WATT INVERTER GENERATOR

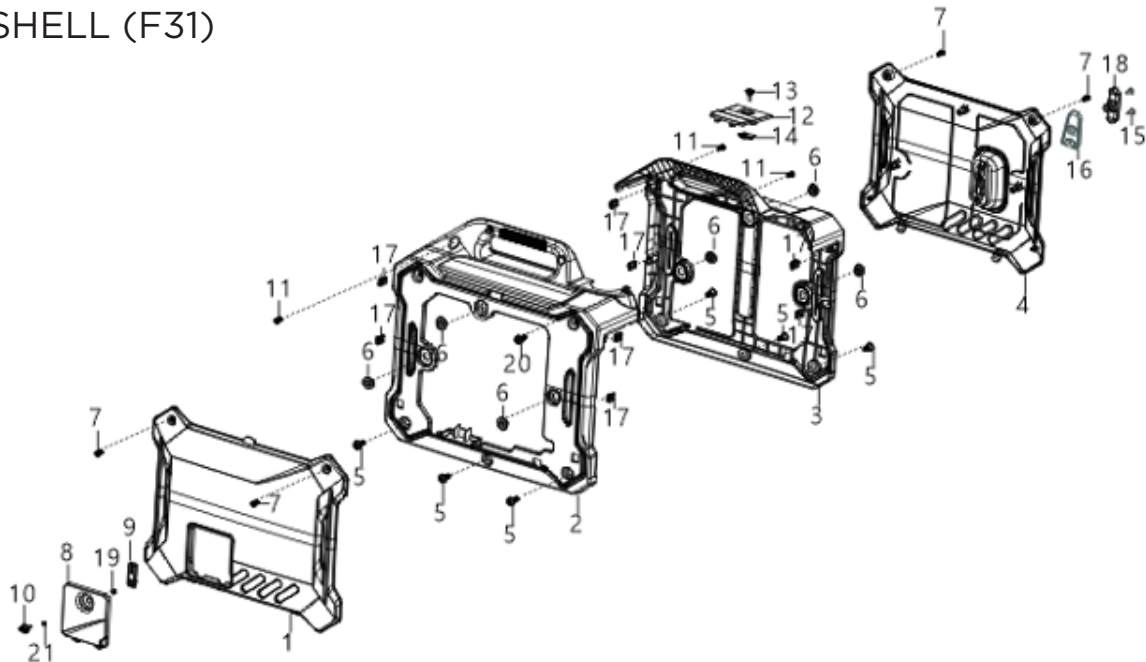
FIG. 12 ROTOR / STATOR (F06)



REF. NO	DESCRIPTION	QTY	BE PART NUMBER
F06 - 1	STATOR SUBASSEMBLY, MAGNETO	1	
F06 - 2	CASE SUBASSEMBLY, MAGNETO ROTOR	1	
F06 - 3	SHROUD, MOTOR	1	
F06 - 4	IMPELLER	1	
F06 - 5	SCREW, CROSS GROOVE PAN	5	
F06 - 6	NUT	1	
F06 - 7	BOLT	3	
F06 - 8	BOLT	2	
F06 - 9	BOLT	2	
F06 - 10	COVER, SHROUD UPPER	1	

## 2,100 WATT INVERTER GENERATOR

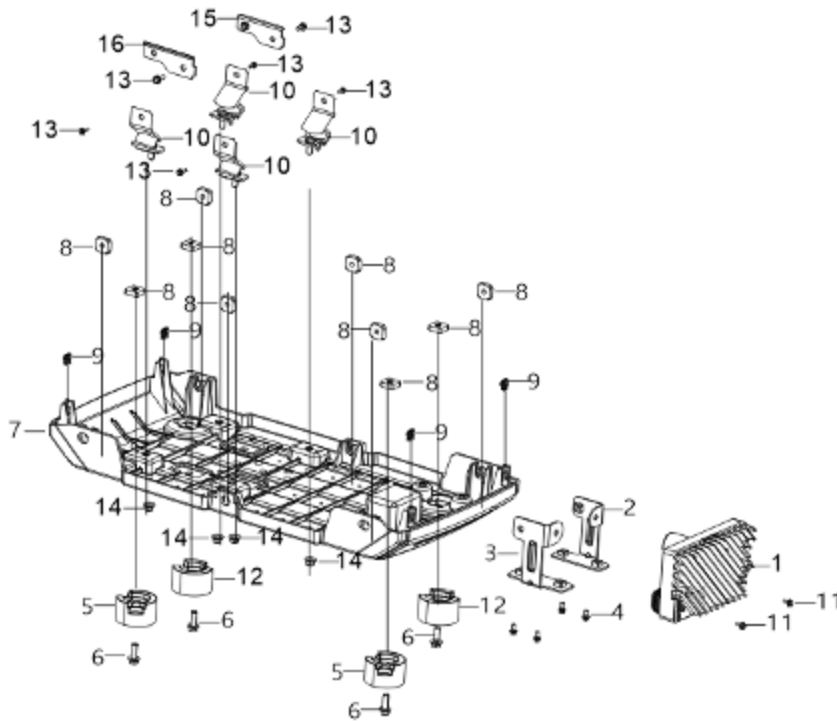
FIG. 13 SHELL (F31)



REF. NO	DESCRIPTION	QTY	BE PART NUMBER
F31 - 1	COVER BOARD, LEFT	1	
F31 - 2	SHELL, LEFT	1	
F31 - 3	SHELL, RIGHT	1	
F31 - 4	COVER BOARD, RIGHT	1	
F31 - 5	BOLT	6	
F31 - 6	SLEEVE, FUEL TANK RUBBER	6	
F31 - 7	BOLT	4	
F31 - 8	REPAIR DOOR,LEFT	1	
F31 - 9	LEVER	1	
F31 - 10	BOLT	1	
F31 - 11	BOLT	3	
F31 - 12	REPAIR DOOR,SPARK PLUG	1	
F31 - 13	KNOB, SPARK PLUG REPAIR DOOR	1	85.571.762
F31 - 14	LEVER	1	
F31 - 15	SCREW&FLAT WASHER	2	
F31 - 16	GUIDE SUBASSEMBLY, STARTING ROPE	1	
F31 - 17	NUT	8	
F31 - 18	HANDLE, RECOIL STRATER CABLE	1	
F31 - 19	NUT	1	
F31 - 20	SCREW, CROSS GROOVE PAN	1	
F31 - 21	CLIP, SPRING	1	85.571.763

## 2,100 WATT INVERTER GENERATOR

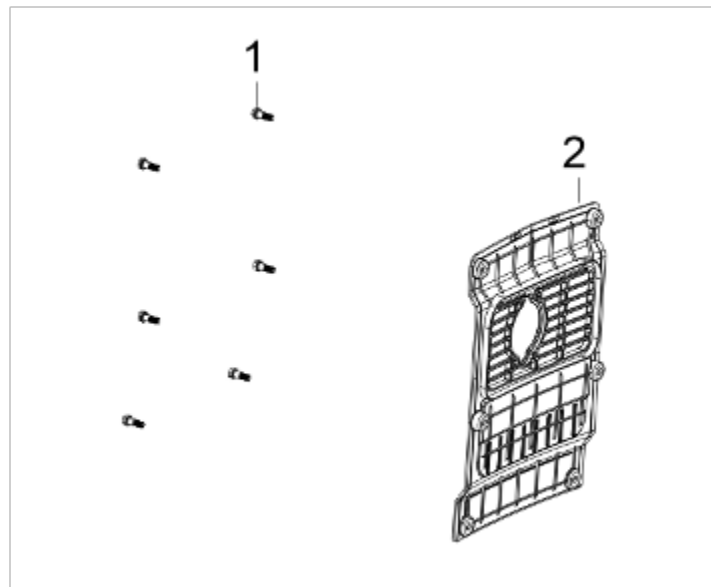
FIG. 14 PLATE, BOTTOM / ASSEMBLING FRAME, INVERTER (F32)



REF. NO	DESCRIPTION	QTY	BE PART NUMBER
F32 - 1	INVERTOR	1	
F32 - 2	ASSEMBLING FRAME, INVERTER	1	
F32 - 3	ASSEMBLING FRAME, INVERTER	1	
F32 - 4	BOLT	4	
F32 - 5	SEAT, ENGINE FRAME SHOCK ABSORPTION	2	
F32 - 6	BOLT	4	
F32 - 7	BASE PLATE COMBINATION	1	
F32 - 8	SQUARE NUT	10	
F32 - 9	NUT	4	
F32 - 10	CUSHION, ENGINE FRAME	4	
F32 - 11	BOLT	2	
F32 - 12	SEAT, ENGINE FRAME SHOCK ABSORPTION	2	
F32 - 13	BOLT	4	
F32 - 14	NUT	4	
F32 - 15	MOUNTING BRACKET	1	
F32 - 16	MOUNTING BRACKET	1	

### 2,100 WATT INVERTER GENERATOR

FIG. 15 COVER, MUFFLER SIDE (F33)



REF. NO	DESCRIPTION	QTY	BE PART NUMBER
F33 - 1	BOLT	6	
F33 - 2	COVER, MUFFLER SIDE	1	