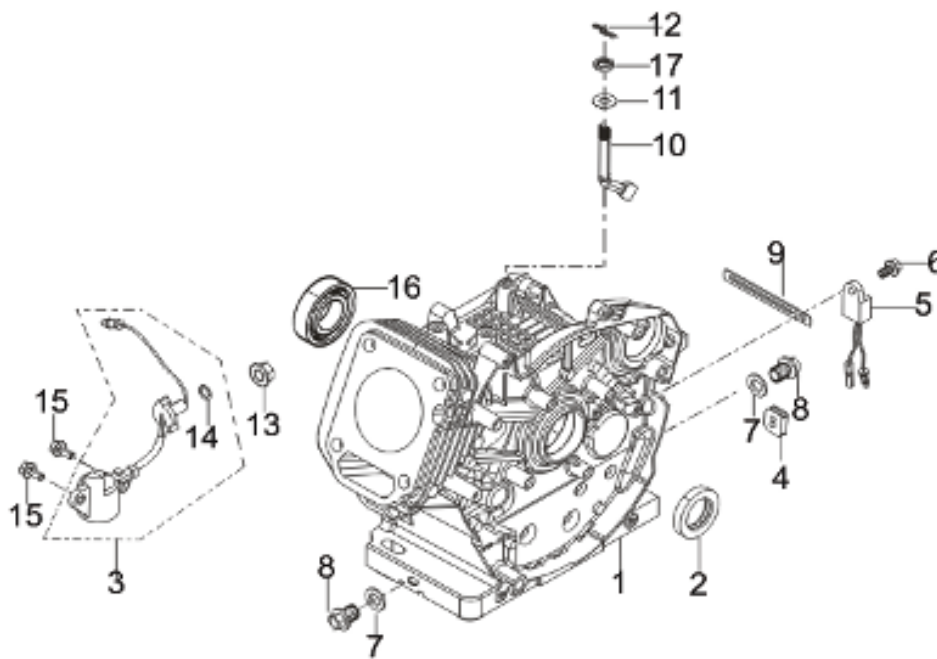


8,900 WATT GENERATOR

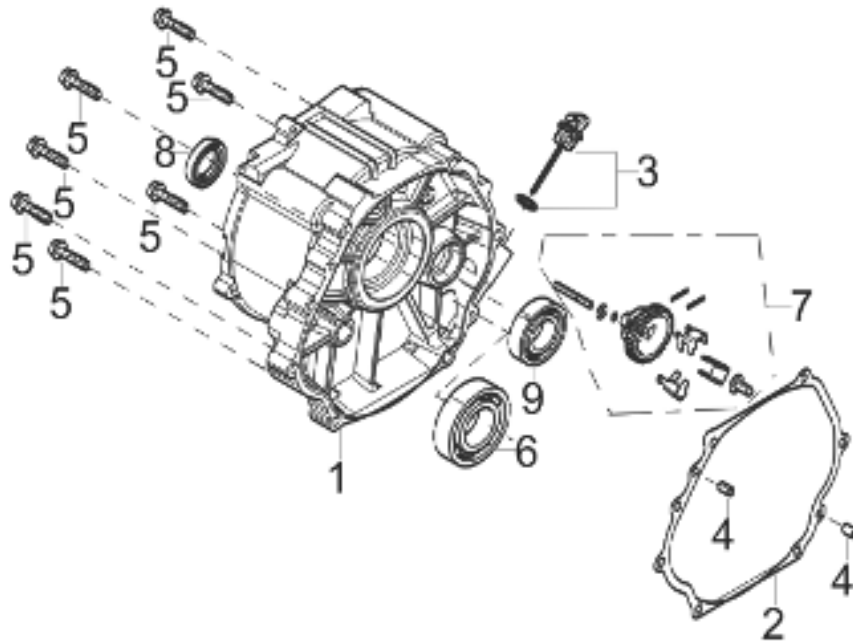
FIG. 1 CRANKCASE (E01)



REF. NO	DESCRIPTION	QTY	BE PART NUMBER
E01 - 1	CRANKCASE SUBASSEMBLY.	1	
E01 - 2	SEAL, OIL	1	
E01 - 3	SENSOR, ENGINE OIL	1	
E01 - 4	PLUG, RUBBER	1	
E01 - 5	PROTECTOR, OIL	1	85.571.776
E01 - 6	BOLT	1	
E01 - 7	WASHER, FLAT	2	39.000.012A
E01 - 8	BOLT, DRAIN PLUG	2	
E01 - 9	CLIP	1	
E01 - 10	ARM, GOVERNOR	1	
E01 - 11	WASHER, FLAT	1	
E01 - 12	PIN	1	
E01 - 13	NUT	1	
E01 - 15	BOLT	2	
E01 - 16	BEARING, DEEP GROOVE BALL	1	
E01 - 17	SEAL, OIL	1	

8,900 WATT GENERATOR

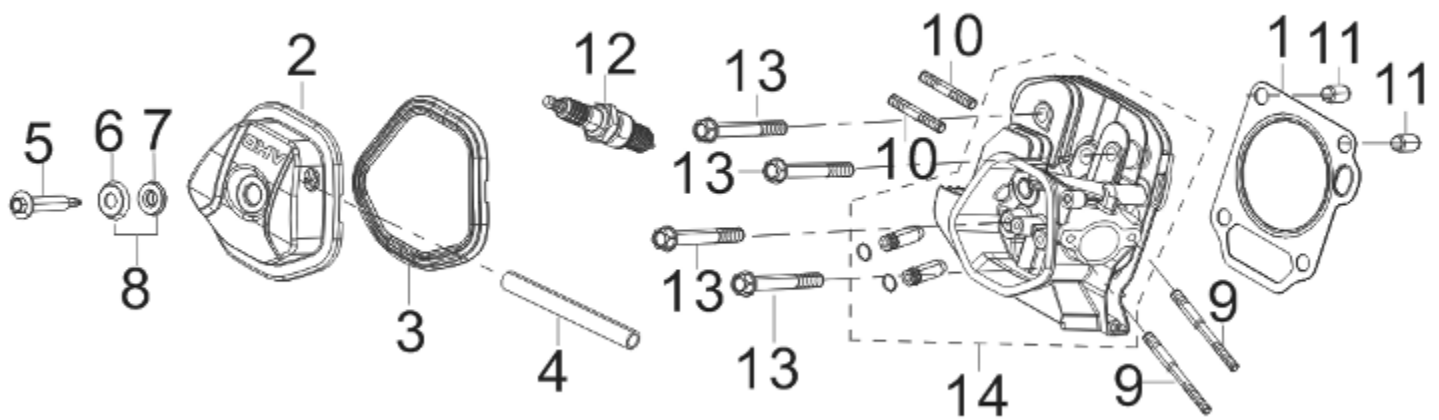
FIG. 2 COVER, CRANKCASE (E02)



REF. NO	DESCRIPTION	QTY	BE PART NUMBER
E02 - 1	COVER, CRANKCASE	1	
E02 - 2	GASKET, CRANKCASE	1	
E02 - 3	DIPSTICK SUBASSEMBLY, OIL	1	85.571.848
E02 - 4	PIN	2	
E02 - 5	BOLT	7	
E02 - 6	BEARING, DEEP GROOVE BALL	1	
E02 - 7	GEAR ASSY, GOVERNOR	1	
E02 - 8	SEAL, OIL	1	
E02 - 9	BEARING, DEEP GROOVE BALL	1	

8,900 WATT GENERATOR

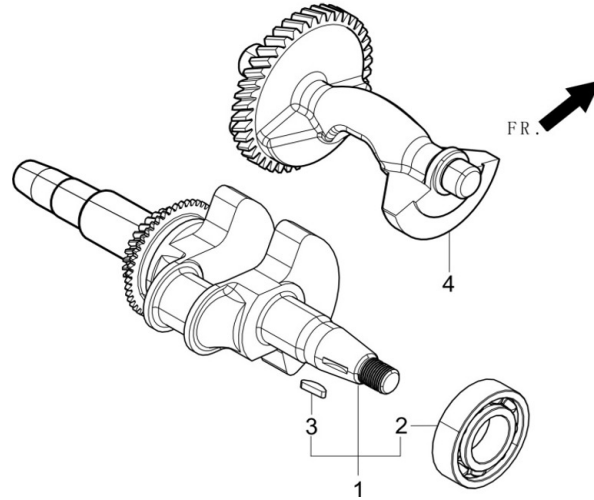
FIG. 3 CYLINDER HEAD, CYLINDER COVER ASSEMBLY (E03)



REF. NO	DESCRIPTION	QTY	BE PART NUMBER
E03 - 1	GASKET, CYLINDER HEAD	1	85.571.067
E03 - 2	COVER SUBASSEMBLY, CYLINDER HEAD	1	
E03 - 3	GASKET, CYLINDER HEAD COVER	1	
E03 - 4	TUBE, BREATHER	1	
E03 - 5	BOLT, CYLINDER HEAD	1	
E03 - 8	BOLT SEAL&GASKET SET,CYLINDER HEAD	1	
E03 - 9	STUD	2	
E03 - 10	STUD	2	85.571.723
E03 - 11	PIN	2	
E03 - 12	PLUG, SPARK	1	
E03 - 13	BOLT, CYLINDER HEAD	4	
E03 - 14	HEAD SUBASSEMBLY, CYLINDER	1	

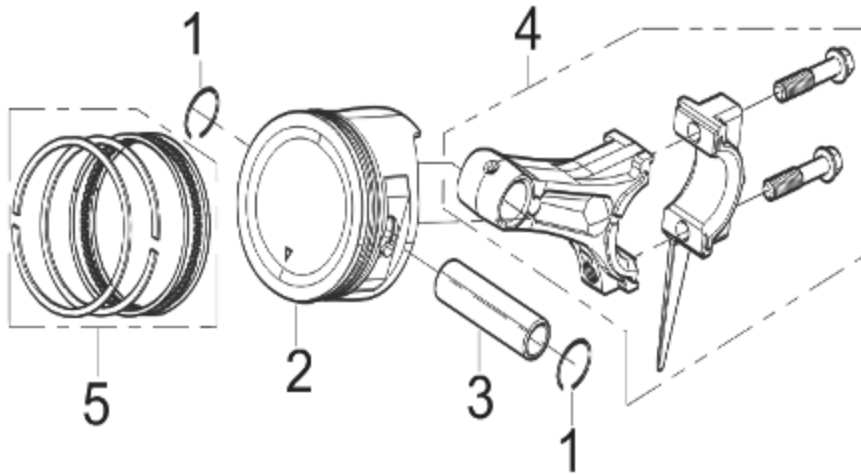
8,900 WATT GENERATOR

FIG. 4 CRANKSHAFT ASSEMBLY (E04)



REF. NO	DESCRIPTION	QTY	BE PART NUMBER
E04 - 1	CRANKSHAFT ASSY.	1	
E04 - 4	BALANCING SHAFT	1	

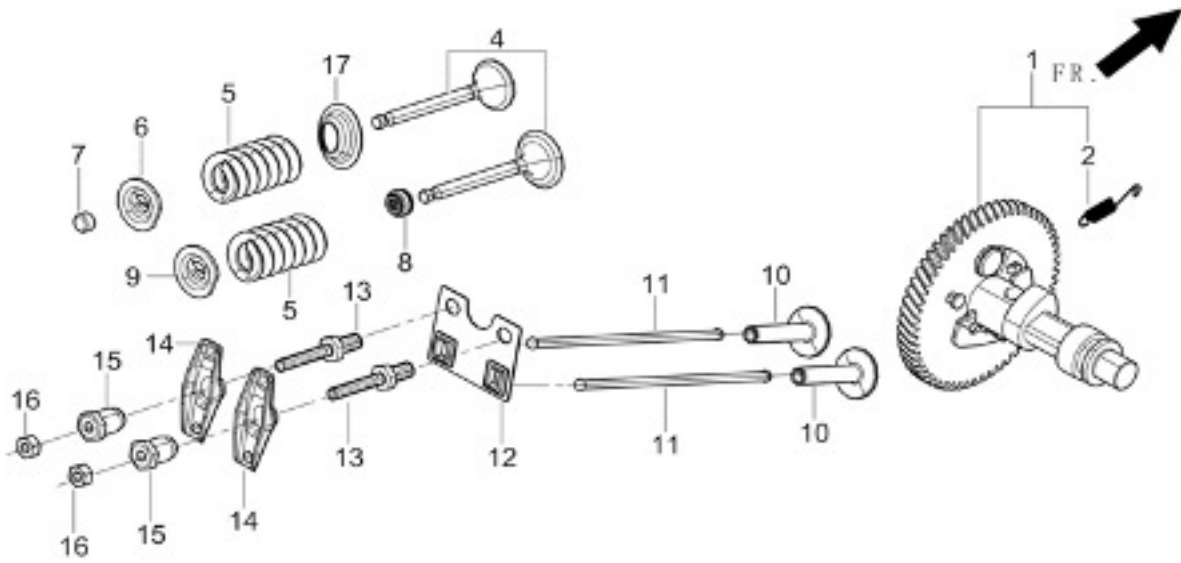
FIG. 5 PISTON / CONNECTING ROD (E05)



REF. NO	DESCRIPTION	QTY	BE PART NUMBER
E05 - 1	CLIP, PISTON PIN	2	
E05 - 2	PISTON	1	
E05 - 3	PIN, PISTON	1	
E05 - 4	ROD, CONNECTING	1	
E05 - 5	RING ASSY, PISTON	1	

8,900 WATT GENERATOR

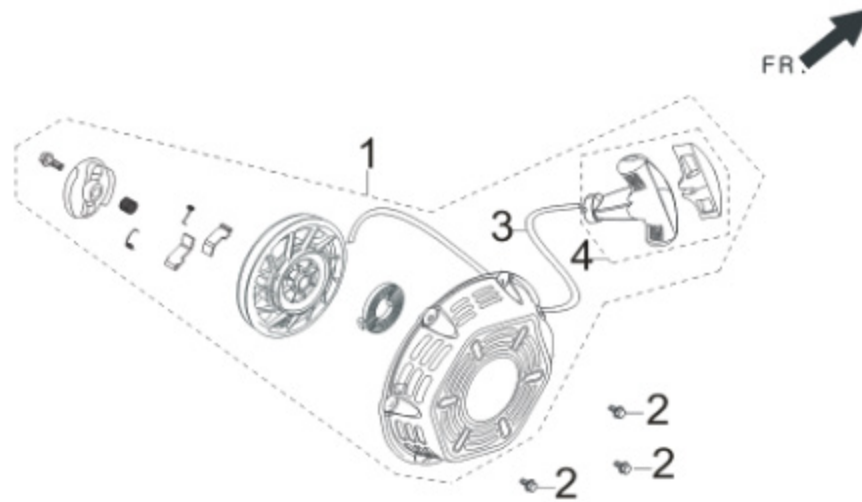
FIG. 6 CAMSHAFT ASSEMBLY (E06)



REF. NO	DESCRIPTION	QTY	BE PART NUMBER
E06 - 1	CAMSHAFT ASSY.	1	
E06 - 4	VALVES SET	1	
E06 - 5	SPRING, VALVE	2	
E06 - 6	RETAINER, EXHAUST VALVE	1	
E06 - 7	ROTATOR, VALVE	1	
E06 - 8	GUIDE, SEAL	1	
E06 - 9	SEAT, VALVE SPRING	1	
E06 - 10	TAPPET, VALVE	2	
E06 - 11	LIFTER SUBASSEMBLY, VALVE	2	
E06 - 12	PLATE SUBASSEMBLY, LIFTER STOPPER	1	
E06 - 13	BOLT, ROCKER SHAFT	2	
E06 - 14	ROCKER, VALVE	2	
E06 - 15	NUT, VALVE ADJUSTING	2	
E06 - 16	NUT, VALVE LOCK	2	
E06 - 17	RETAINER, VALVE SPRING	1	

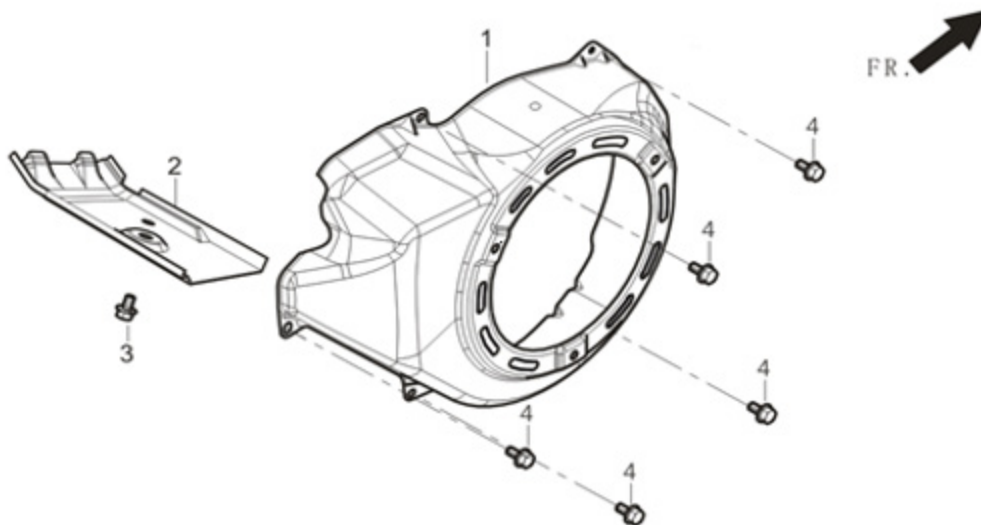
8,900 WATT GENERATOR

FIG. 7 STARTER (E07)



REF. NO	DESCRIPTION	QTY	BE PART NUMBER
E07 - 1	STARTER ASSY, RECOIL	1	85.571.239
E07 - 2	BOLT	3	

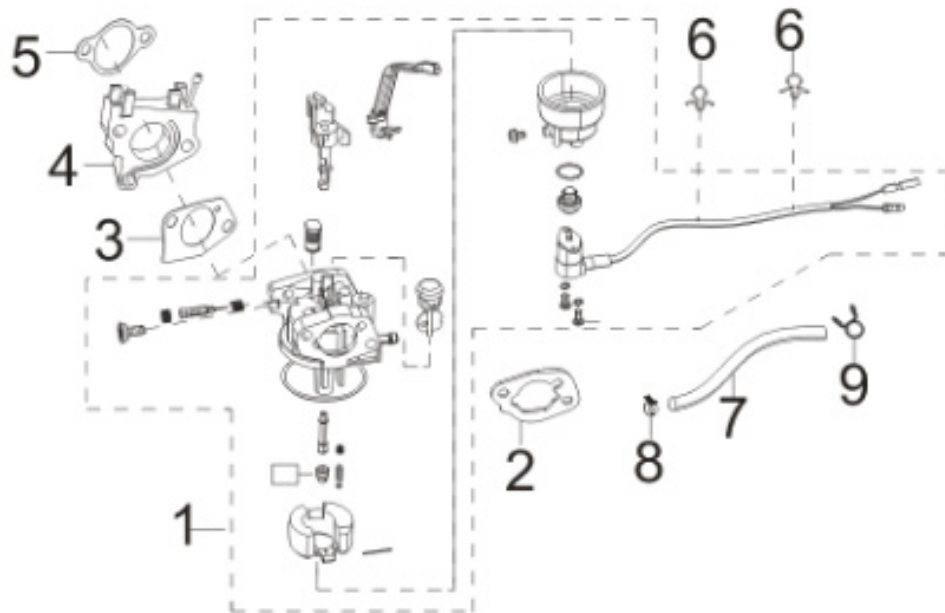
FIG. 8 SHROUD (E08)



REF. NO	DESCRIPTION	QTY	BE PART NUMBER
E08 - 1	SHROUD	1	85.571.231
E08 - 2	SHROUD, CYLINDER BODY	1	
E08 - 3	BOLT	1	
E08 - 4	BOLT	5	

8,900 WATT GENERATOR

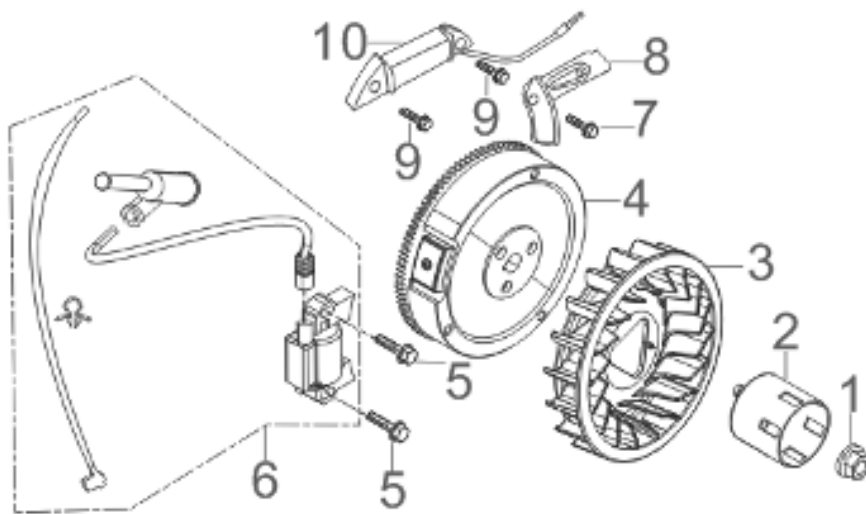
FIG. 9 CARBURETOR ASSEMBLY (E09)



REF. NO	DESCRIPTION	QTY	BE PART NUMBER
E09 - 1	CARBURETOR ASSY.	1	
E09 - 2	GASKET, AIR CLEANER	2	
E09 - 3	GASKET, CARBURETOR	1	
E09 - 4	PLATE, CARBURETOR INSULATOR	1	
E09 - 5	GASKET, INLET	1	
E09 - 6	CLIP	2	
E09 - 7	TUBE, FUEL	1	
E09 - 8	CLAMP	1	
E09 - 9	COLLAR	1	

8,900 WATT GENERATOR

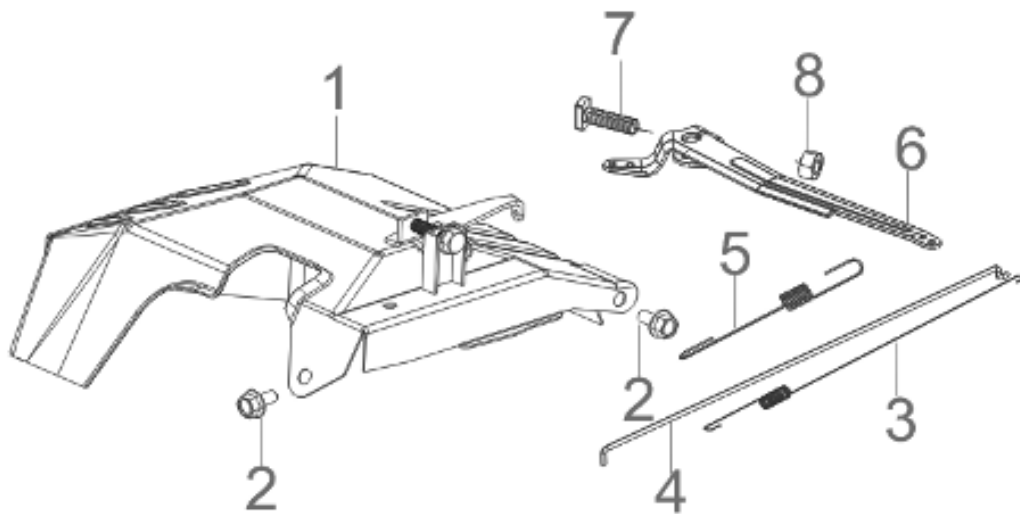
FIG. 10 FLYWHEEL SUBASSEMBLY (E10)



REF. NO	DESCRIPTION	QTY	BE PART NUMBER
E10 - 1	NUT, FLYWHEEL	1	
E10 - 2	PULLEY, STARTER	1	
E10 - 3	IMPELLER	1	
E10 - 4	FLYWHEEL SUBASSEMBLY	1	
E10 - 5	BOLT	2	
E10 - 6	COIL, IGNITION	1	
E10 - 7	BOLT	1	
E10 - 8	CLAMP, CHARGE COIL	1	
E10 - 9	BOLT	2	
E10 - 10	COIL SUBASSEMBLY, CHARGE	1	85.571.075

8,900 WATT GENERATOR

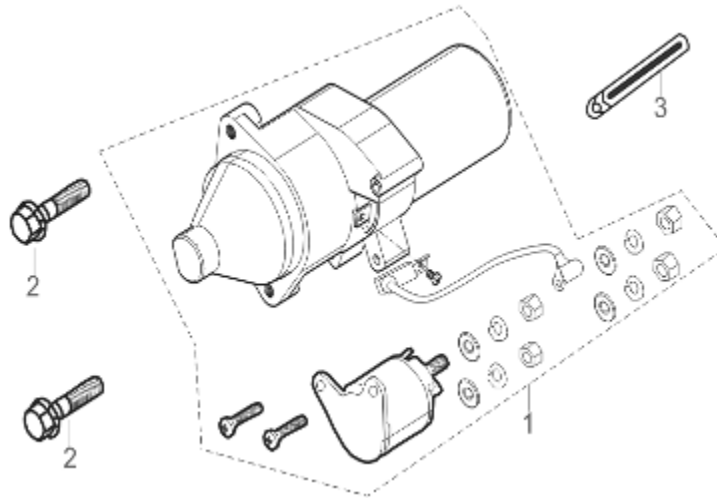
FIG. 11 CONTROL ASSEMBLY (E11)



REF. NO	DESCRIPTION	QTY	BE PART NUMBER
E11 - 1	CONTROL ASSY, THROTTLE	1	
E11 - 2	BOLT	2	
E11 - 3	SPRING, THROTTLE VALVE RETURNING	1	
E11 - 4	ROD, GOVERNEOR	1	
E11 - 5	SPRING, GOVERNOR	1	
E11 - 6	SUPPORT SUBASSEMBLY, GOVERNOR	1	
E11 - 7	BOLT, GOVERNOR SUPPORT	1	
E11 - 8	NUT	1	

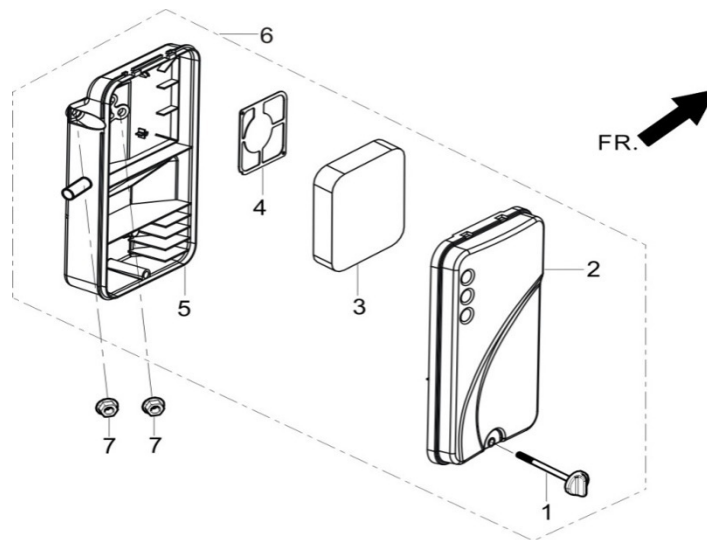
8,900 WATT GENERATOR

FIG. 12 MOTOR ASSEMBLY, STARTING (E12)



REF. NO	DESCRIPTION	QTY	BE PART NUMBER
E12 - 1	MOTOR, STARTING	1	
E12 - 2	BOLT	2	
E12 - 3	CLIP	1	

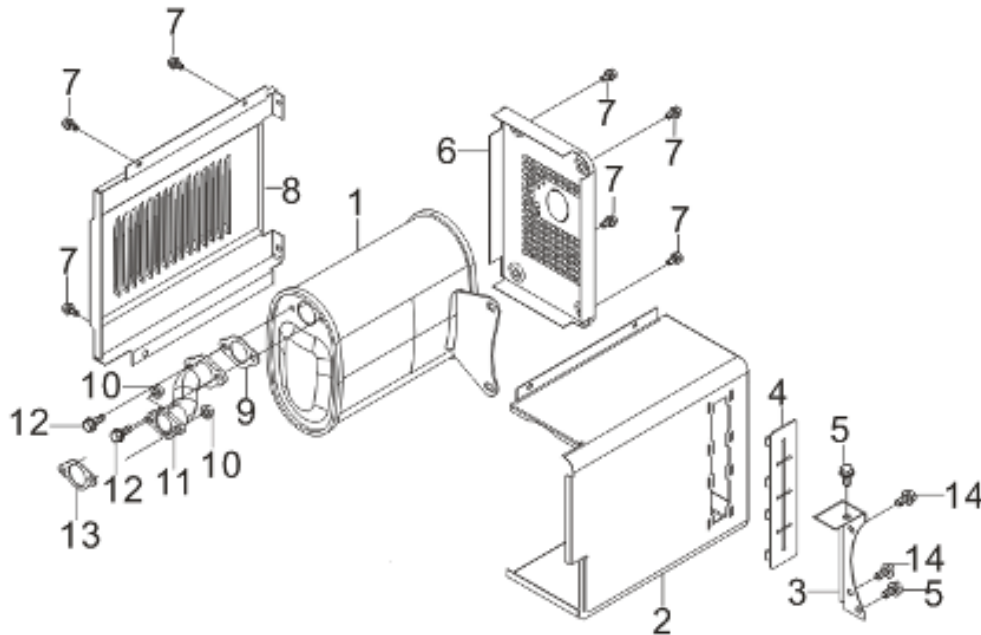
FIG. 13 AIR CLEANER (F01)



REF. NO	DESCRIPTION	QTY	BE PART NUMBER
F01 - 6	CLEANER, AIR	1	85.571.852
F01 - 7	NUT	2	

8,900 WATT GENERATOR

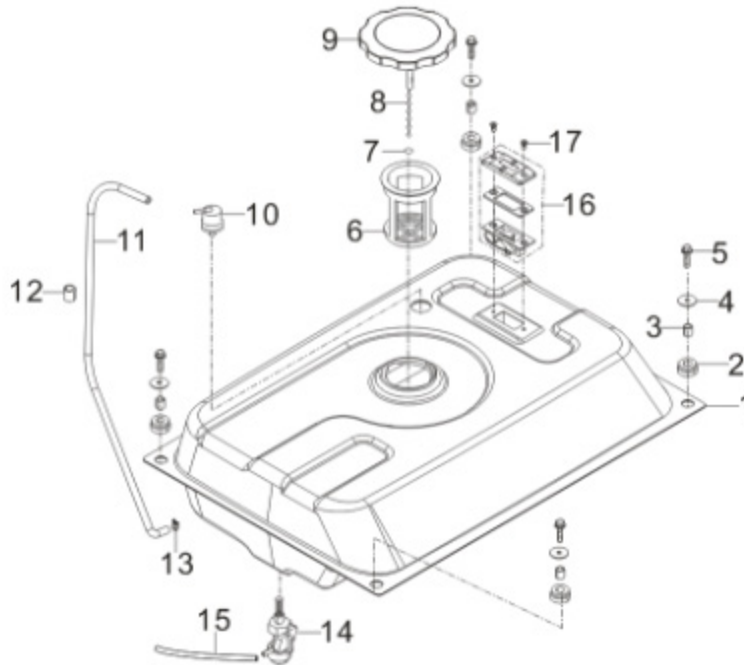
FIG. 14 MUFFLER ASSEMBLY (F02)



REF. NO	DESCRIPTION	QTY	BE PART NUMBER
F02 - 1	MUFFLER ASSY.	1	
F02 - 2	COVER, MUFFLER INNER	1	
F02 - 3	BRACKET,MUFFLER	1	
F02 - 4	CUSHION, MUFFLER INSULATOR RUBBER	1	
F02 - 5	BOLT	2	
F02 - 6	COVER, MUFFLER SIDE	1	
F02 - 7	BOLT	7	
F02 - 8	COVER, MUFFLER OUTER	1	
F02 - 9	GASKET, EXHAUST OUTLET	1	
F02 - 10	NUT	2	
F02 - 11	PIPE, EXHAUST	1	
F02 - 12	BOLT	2	
F02 - 13	GASKET, EXHAUST OUTLET	1	
F02 - 14	BOLT	2	

8,900 WATT GENERATOR

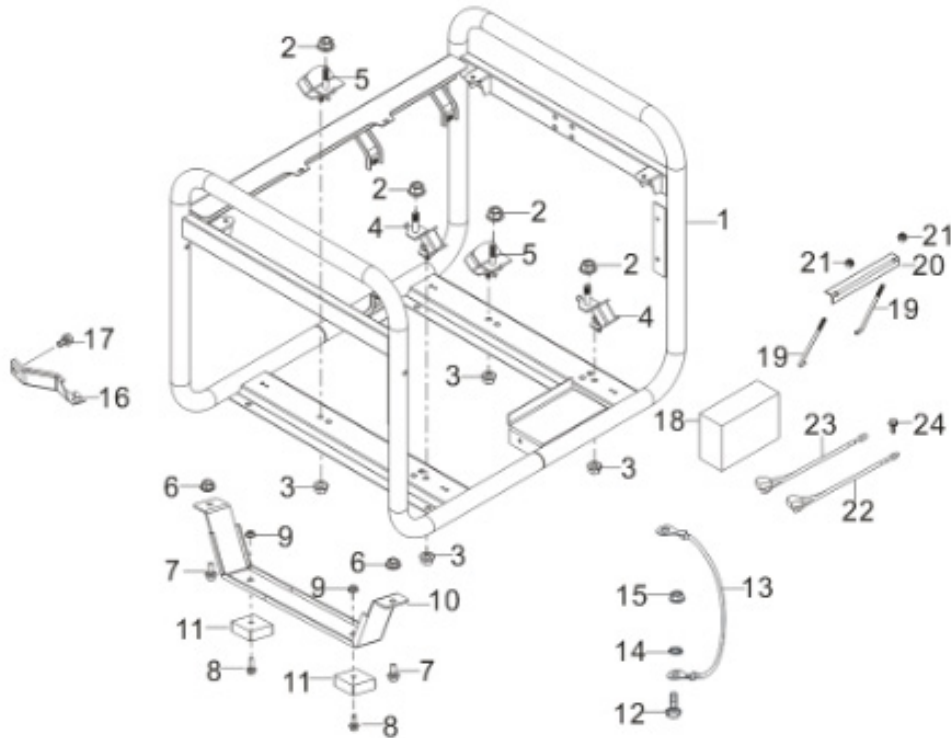
FIG. 15 TANK, FUEL (F03)



REF. NO	DESCRIPTION	QTY	BE PART NUMBER
F03 - 1	TANK, FUEL	1	
F03 - 2	SLEEVE, FUEL TANK RUBBER	4	
F03 - 3	BUSH	4	
F03 - 4	WASHER, FLAT	4	
F03 - 5	BOLT	4	
F03 - 6	STRAINER, FUEL	1	
F03 - 7	Anti slip chain clip	1	
F03 - 8	CHAIN PROOF OFF, FUEL TANK COVER	1	
F03 - 9	COVER, FUEL TANK	1	85.571.255
F03 - 10	VALVE, ONE WAY	1	85.572.000
F03 - 11	HOSE, FUEL STEAM RUBBER	1	
F03 - 12	PROTECTIVE RUBBER SLEEVE	1	
F03 - 13	CLAMP	1	
F03 - 14	COCK ASSY, FUEL	1	85.571.785
F03 - 15	JACKET, RUBBER	1	
F03 - 16	LEVELER ASSY, OIL	1	
F03 - 17	BOLT	2	

8,900 WATT GENERATOR

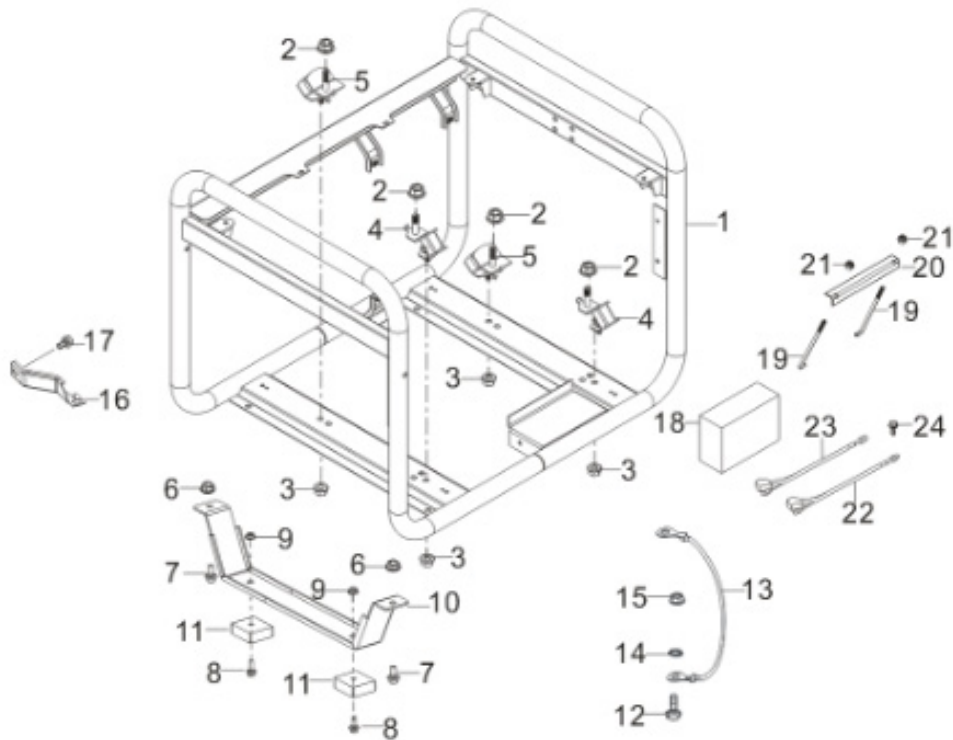
FIG. 16 FRAME, ENGINE (F04)



REF. NO	DESCRIPTION	QTY	BE PART NUMBER
F04 - 1	FRAME ASSY, ENGINE	1	
F04 - 2	NUT	4	
F04 - 3	NUT	4	
F04 - 4	CUSHION, ENGINE FRAME	2	
F04 - 5	CUSHION, ENGINE FRAME REAR	2	
F04 - 6	NUT	2	
F04 - 7	BOLT	2	
F04 - 8	BOLT	2	
F04 - 9	NUT	2	
F04 - 10	SUPPORT, ENGINE FRAME SHOCK ABSORPTION	1	
F04 - 11	SEAT, ENGINE FRAME SHOCK ABSORPTION	2	
F04 - 12	BOLT	1	

8,900 WATT GENERATOR

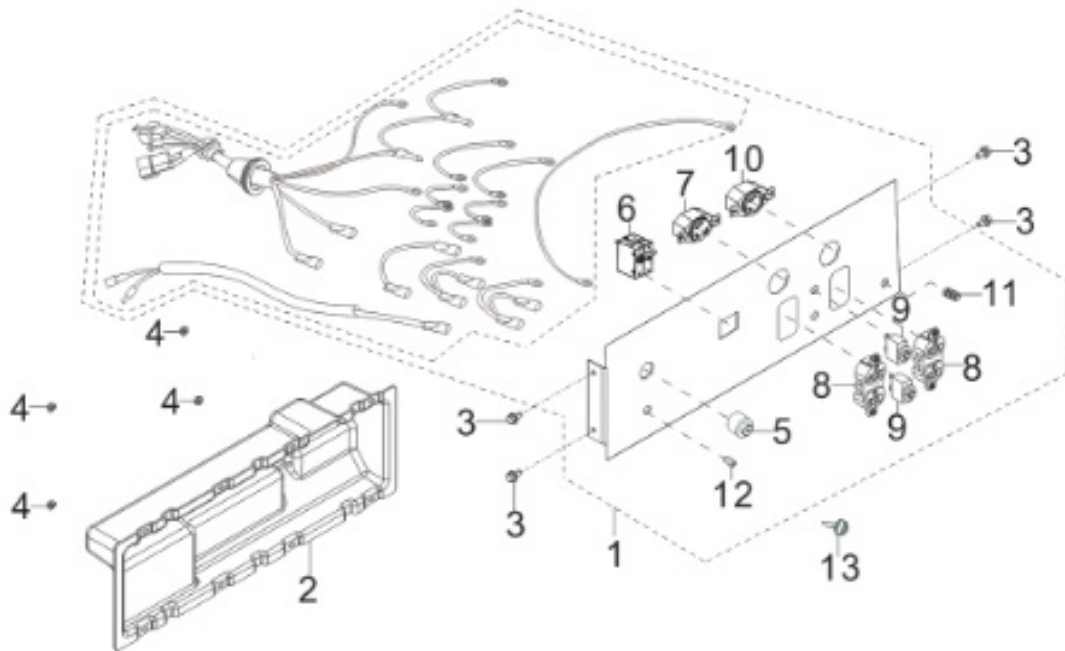
FIG. 16 FRAME, ENGINE (F04)



REF. NO	DESCRIPTION	QTY	BE PART NUMBER
F04 - 13	GROUNDING	1	
F04 - 14	OUTER SERRATED LOCK WASHER	1	
F04 - 15	NUT	1	
F04 - 16	SUPPORT, ATR CLEANER	1	
F04 - 17	BOLT	1	
F04 - 18	BATTERY	1	85.571.337
F04 - 19	BOLT, BATTERY	2	
F04 - 20	CLAMP, BATTERY	1	
F04 - 21	NUT	2	
F04 - 22	WIRE, ANODE	1	
F04 - 23	WIRE, CATHODE	1	
F04 - 24	BOLT	1	

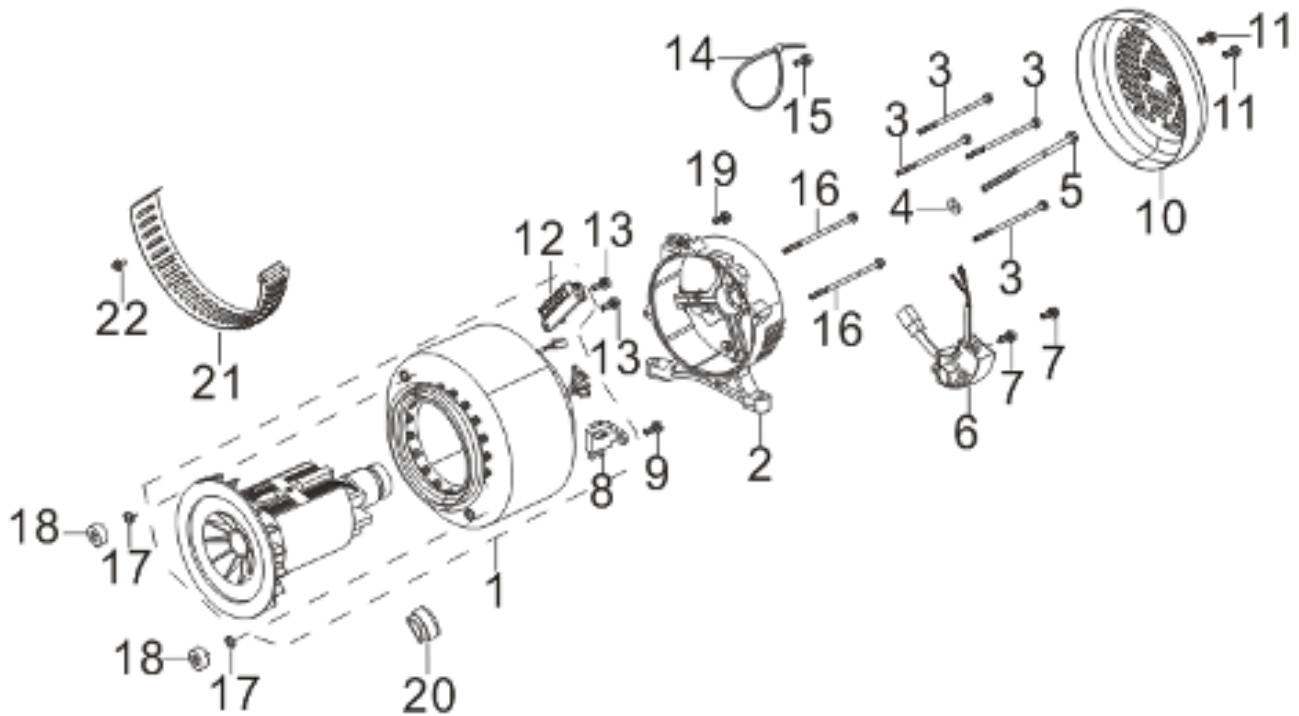
8,900 WATT GENERATOR

FIG. 17 PANEL SUBASSEMBLY, CONTROL (F05)



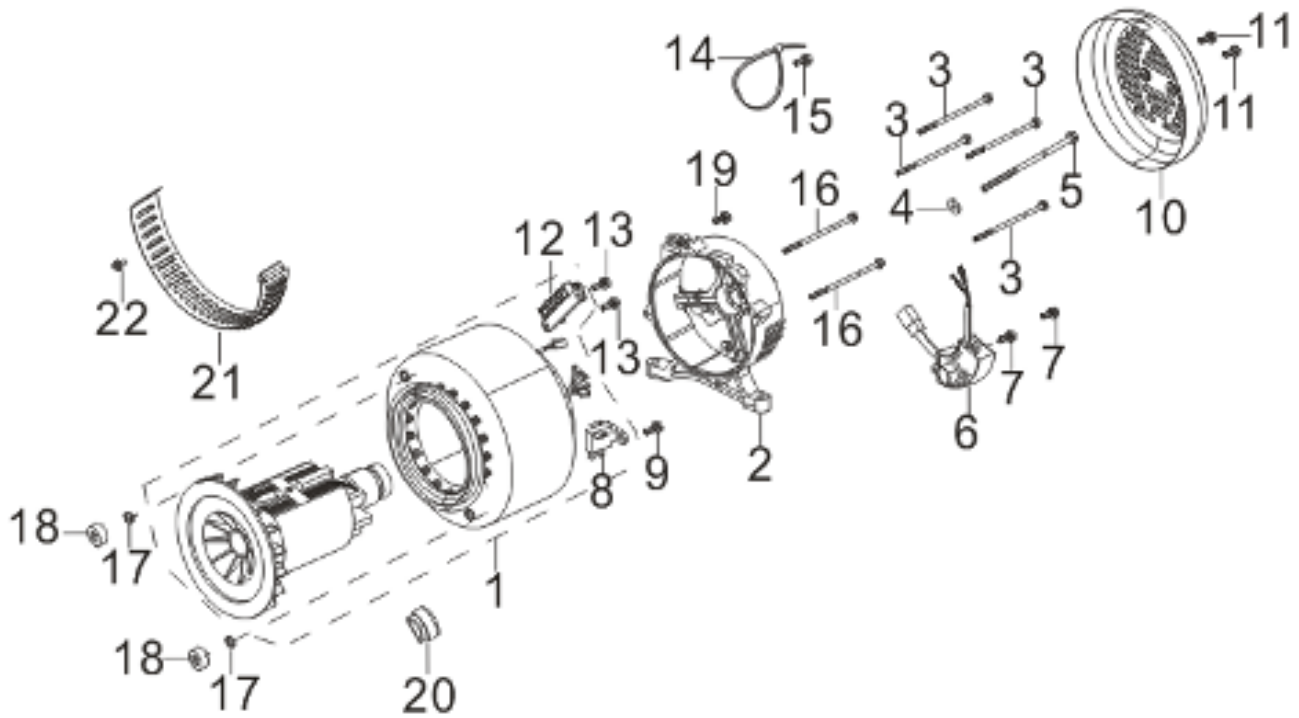
REF. NO	DESCRIPTION	QTY	BE PART NUMBER
F05 - 1	PANEL SUBASSEMBLY, CONTROL	1	
F05 - 2	CASE, PANEL REAR	1	
F05 - 3	BOLT	4	
F05 - 4	NUT	4	
F05 - 5	SWITCH SUBASSEMBLY	1	
F05 - 6	BREAKER, DOUBLE-POLE	1	
F05 - 7	SOCKET SUBASSEMBLY, POWER SUPPLY	1	
F05 - 8	SOCKET SUBASSEMBLY, POWER SUPPLY	2	
F05 - 9	PROTECTOR, OVERCURRENT	2	
F05 - 10	SOCKET SUBASSEMBLY, POWER SUPPLY	1	
F05 - 11	TERMINAL SUBASSEMBLY, GROUNDING	1	85.571.810
F05 - 12	OIL INDICATOR	1	85.571.796
F05 - 13	KEY, STOP ENGINE SWITCH	1	DF6500H-33115-A

8,900 WATT GENERATOR FIG. 18 ROTOR / STATOR (F06)



REF. NO	DESCRIPTION	QTY	BE PART NUMBER
F06 - 1	MOTOR ASSY.	1	
F06 - 2	BRACKET, MOTOR	1	85.571.845
F06 - 3	BOLT, STATOR	4	
F06 - 4	WASHER, FLAT	1	
F06 - 5	BOLT, ROTOR	1	
F06 - 6	REGULATOR, VOLTAGE	1	85.571.854
F06 - 7	BOLT	2	
F06 - 8	BRUSH SUBASSEMBLY, CARBON	1	85.571.082
F06 - 9	BOLT	1	
F06 - 10	COVER, MOTOR TAIL	1	85.571.223
F06 - 11	BOLT	2	

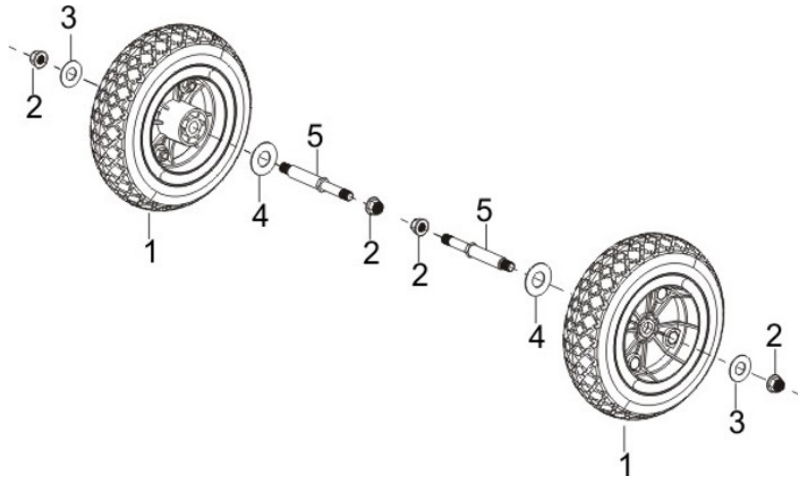
8,900 WATT GENERATOR FIG. 18 ROTOR / STATOR (F06)



REF. NO	DESCRIPTION	QTY	BE PART NUMBER
F06 - 12	BLOCK, TERMINAL	1	
F06 - 13	BOLT	2	
F06 - 14	BAND	2	
F06 - 15	BOLT	2	
F06 - 16	BOLT, STATOR	2	
F06 - 17	WASHER, FLAT	2	
F06 - 18	NUT, STATOR	2	
F06 - 19	BOLT	1	
F06 - 20	STOPPER, MOTOR RIGHT COVER	1	
F06 - 21	SHROUD, MOTOR	1	
F06 - 22	BOLT	1	

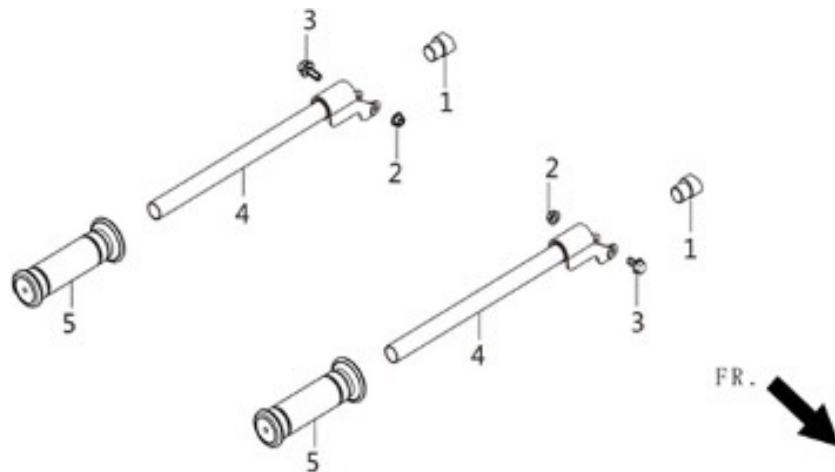
8,900 WATT GENERATOR

FIG. 19 WHEEL ASSEMBLY, FRONT (F07)



REF. NO	DESCRIPTION	QTY	BE PART NUMBER
F07 - 1	WHEEL, FRONT	2	
F07 - 2	NUT	4	
F07 - 3	WASHER, FLAT	2	
F07 - 4	WASHER, FLAT	2	
F07 - 5	SHAFT, FRONT WHEEL	2	

FIG. 20 FRAME, ENGINE (F08)



REF. NO	DESCRIPTION	QTY	BE PART NUMBER
F08 - 1	HANDLE TUBE CONNECTING SEAT	2	
F08 - 2	NUT	2	
F08 - 3	BOLT	2	
F08 - 4	HANDLE TUBE ASSY	2	
F08 - 5	SLEEVE, HANDLE RUBBER	2	